



# PARTS CATALOGUE

Series BMW E60/E61



**BMW ALPINA B5**  
**BMW ALPINA B5 Touring**  
**BMW ALPINA B5 S**  
**BMW ALPINA B5 S Touring**

---

The ALPINA parts catalogue is based on the BMW parts catalogue. The BMW ALPINA B5 is based on the Model Year 2005 BMW 545i and Model Year 2006-onward BMW 550i, respectively. The BMW ALPINA B5 Touring is based on the Model Year 2005 BMW 545iT and Model Year 2006-onward BMW 550iT, respectively.

The BMW ALPINA B5 S is based on the BMW 550i Model Year 2008 and up. The BMW ALPINA B5 S Touring is based on the BMW 550iT Model Year 2008 and up.

Basic engine is the **N62B44** from 545i.

Only ALPINA parts and not clear perceptible BMW parts which are different to the basic car are listed. For BMW parts the BMW parts catalogue has to be used.

The abbreviations used in several columns on the text lines have the following meanings:

1. item column (POS): picture number equal to the shown part, o.A. = not pictured
2. expression column
3. part number column
4. model column saloon: wanted quantity; x = quantity is required
5. model column touring: wanted quantity; x = quantity is required
6. RL-column: RHD-vehicle  
x = only for RHD-vehicle
7. remarks column (REM): a, b, c, ... country specification, use from/ up to,  
other informations

A: part number exchangeable with the one mentioned in the next line

E: part number is cancelled

W: part number is used alternatively by the one standing either before it or afterwards (also marked with "W")

The illustrations in this catalogue do not correspond to the original size and shape!

### Catalogue index:

11	engine	33	rear axle
12	engine electrical system	34	brakes
13	fuel preparation system	36	wheels
16	fuel supply	41	body shell
17	cooling	51	vehicle trim
18	exhaust	62	cluster gauge
24	automatic transmission	64	air conditioning
31	suspension	88	information stickers/handbooks
32	steering		

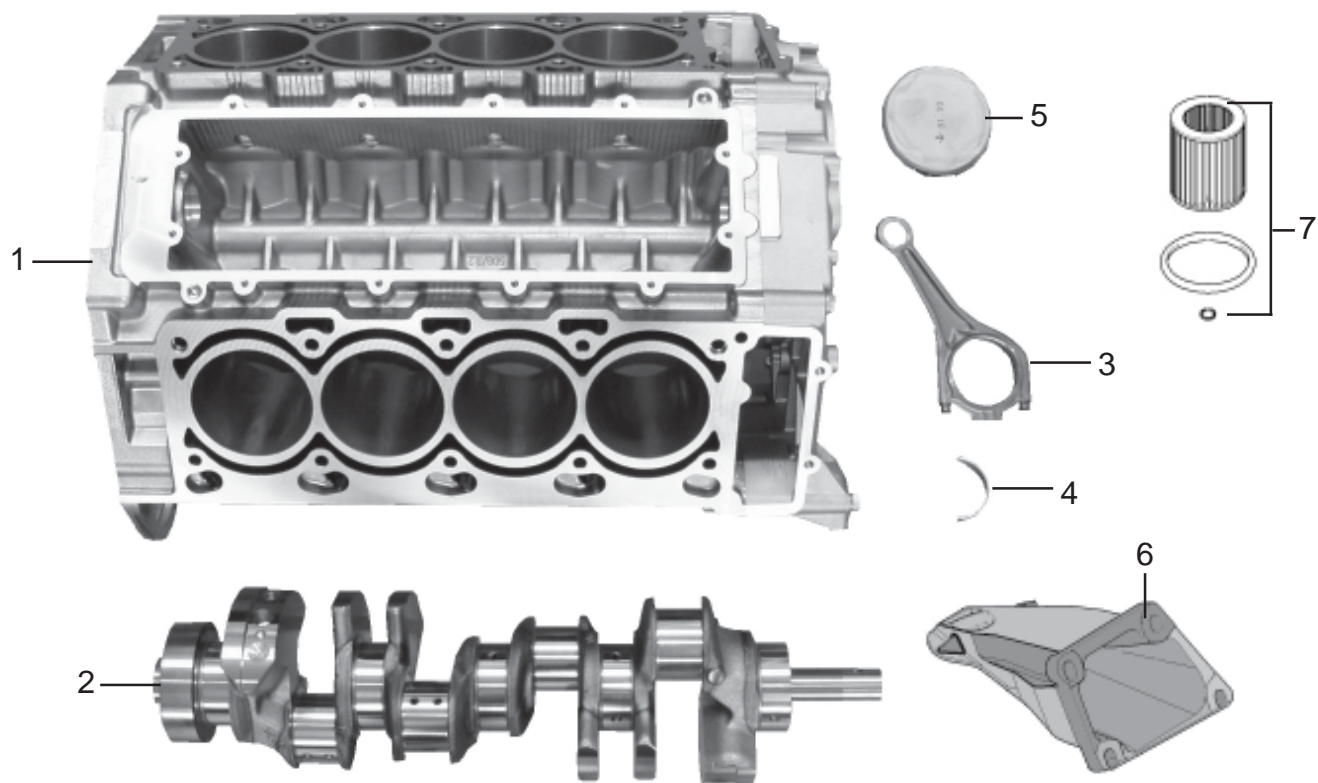
part no. 88 03 327

as of 10/2010

**ALPINA BURKARD BOVENSIEPEN GMBH + CO. KG**

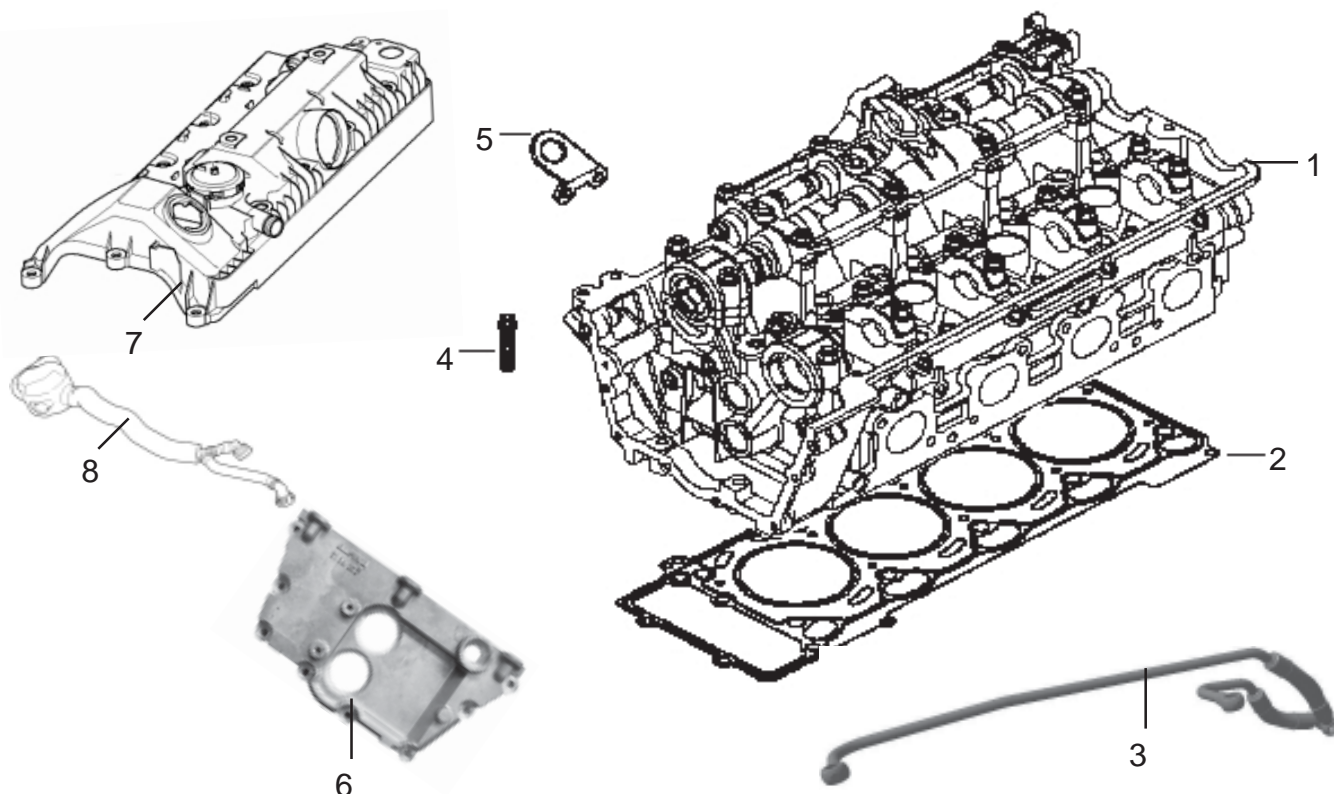
Alpenstraße 35-37 D-86807 Buchloe Tel. 08241/5005-0 Fax.08241/5005-155

---



P O S	expression	part number	B5	B5	RL	R E M
			Limousine	Touring		
1	crankcase ø92,00mm	11 11 644	1	1		
2	crankshaft H=82,70mm	11 21 620	1	1		
3	connecting rod	11 24 7 526 633	8	8		a
3	connecting rod	11 24 7 544 525	8	8		b
4	bearing shell red (rod)	11 24 7 540 363	8	8		a
4	bearing shell blue (shell)	11 24 7 540 365	8	8		a
4	bearing shell blue (rod)	11 24 7 540 362	8	8		a
4	bearing shell (shell)	11 24 7 540 366	8	8		a
4	bearing shell blue (rod)	11 24 029	8	8		b
4	bearing shell red (shell)	11 24 7 544 648	8	8		b
5	piston (cyl.diam. 92,00mm)	11 25 839	8	8		
o.A.	set piston rings (cyl.diam. 92,00mm)	11 25 846	1	1		
6	right engine bracket	22 11 6 769 030	1	1		
7	set oil filter element	11 42 7 511 161	1	1		

a) incl. engine number 18255  
b) engine number 18256 and up



P O S	expression	part number	B5	B5	RL	R E M
			Limousine	Touring		
1	cylinder head cyl. 1-4 right	11 12 661	1	1		
1	cylinder head cyl. 1-4 right	11 12 663	1	1	X	
1	cylinder head cyl. 5-8 left	11 12 662	1	1		
2	cylinder head gasket	11 12 660	2	2		
3	oil pipe	11 42 637	1	1		
zu3	inlet union screw M10x1	06 00 091	1	1		
zu3	sealing Cu 10x14	06 01 006	2	2		
4	socket	11 42 638	1	1		
5	bracket oil pipe	11 42 640	1	1		
zu5	clips	13 31 1 738 201	1	1		
6	drive chain cover cyl. 5-8 (left)	11 14 617	1	1		
7	cylinder head cover cyl. 1-4	11 12 7 522 150	1	1		
7	cylinder head cover cyl. 1-4	11 12 7 563 474	1	1		a
8	vacuum hose	11 61 704	1	1		
8	vacuum hose	11 61 708	1	1		a

a) 03/07 and up (engine number 19027 and up)

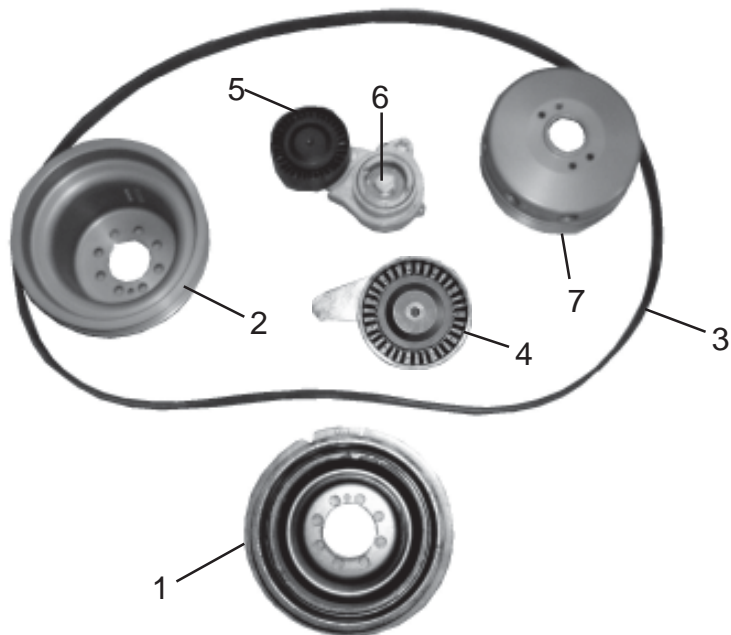


BMW ALPINA B5  
BMW ALPINA B5 S

belt drive  
radial compressor

page  
1

group  
11 28



P O S	expression	part number	B5 Limousine	B5 Touring	RL	R E M
1	vibration dumper	11 23 617	1	1		
2	pulley disc crankshaft	11 23 615	1	1		
o.A.	hex bolt M8X30 for pulley	07 11 9 901 137	8	8		
3	V-belt 6PK x 1527	11 28 604	1	1		
4	deflection pulley	11 28 7 515 280	1	1		
5	belt tensioner	11 28 7 505 566	1	1		AE
5	belt tensioner	11 28 605	1	1		
6	hex bolt 10x50	07 11 9 903 230	1	1		
7	pulley disc for radial compressor	11 23 618	1	1		
	special tool for belt tensioner	74 00 643	1	1		

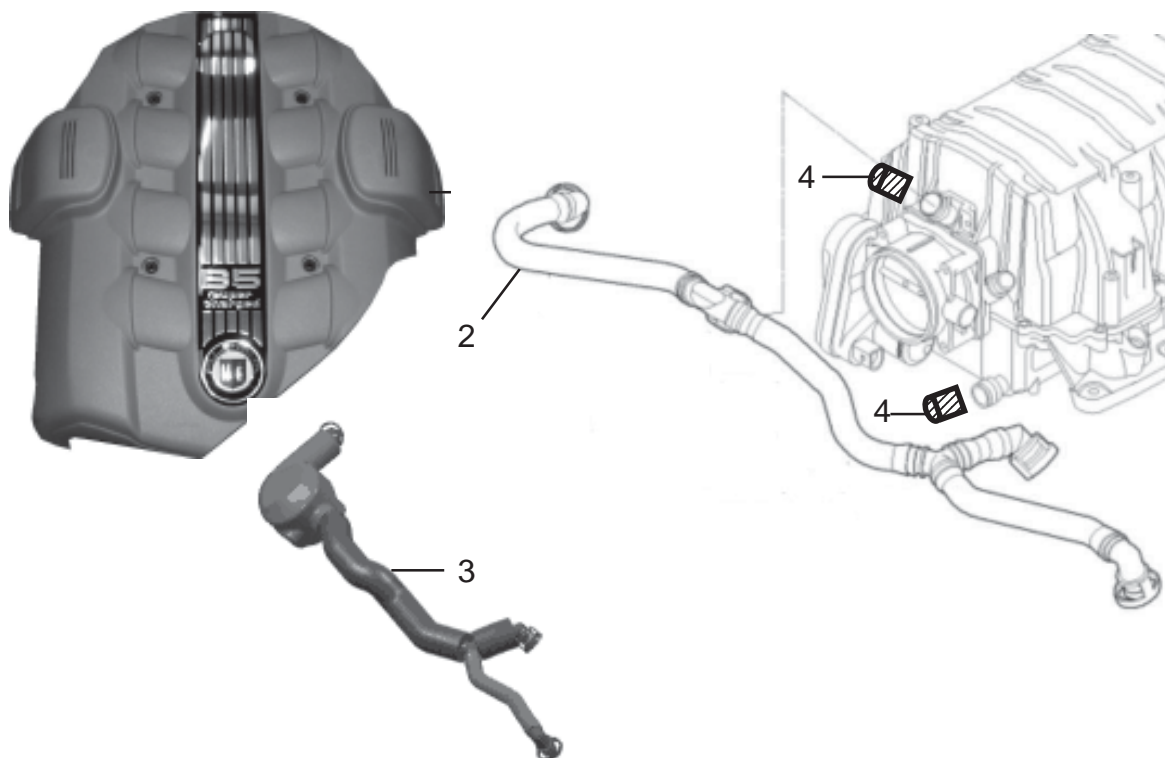


BMW ALPINA B5  
BMW ALPINA B5 S

sound protection  
crankcase ventilation

page  
1

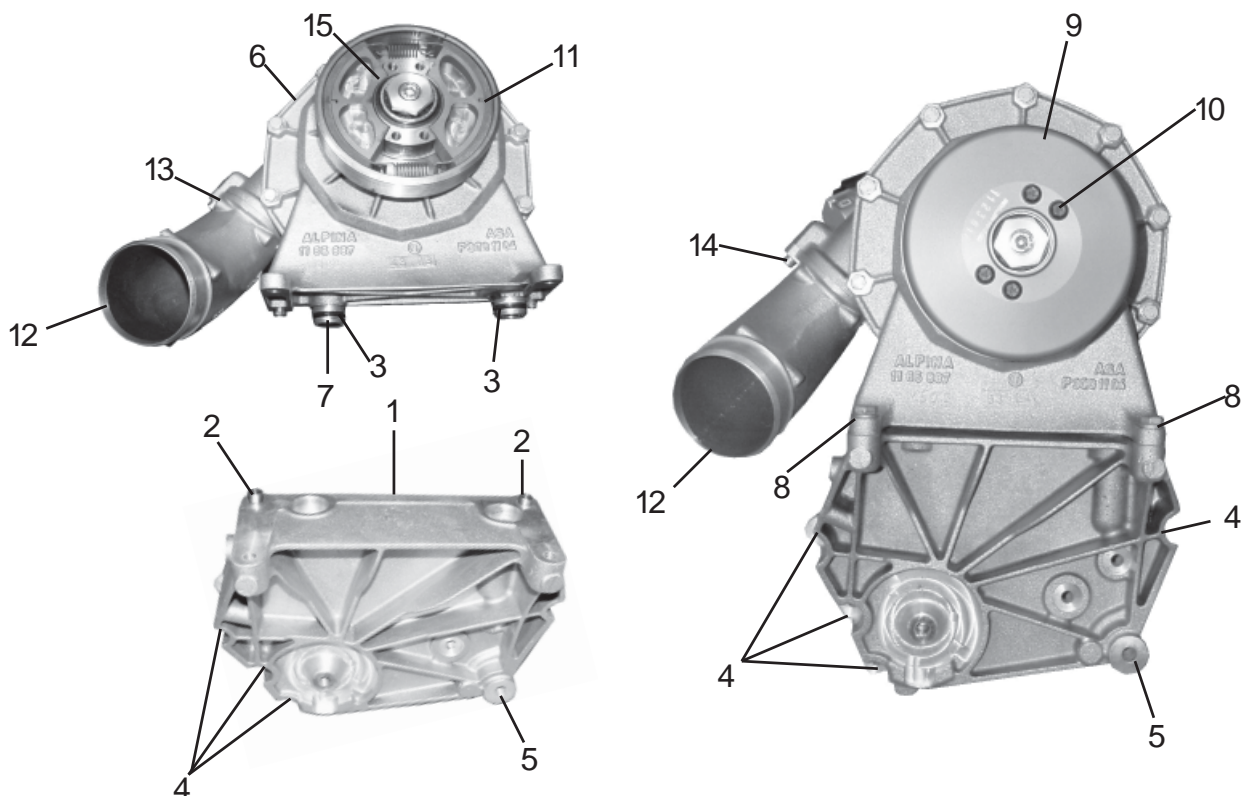
group  
11



P O S	expression	part number	B5	B5	RL	R E M
			Limousine	Touring		
1	sound protection cap	11 61 674	1	1		
2	vent pipe	11 61 704	1	1		a
3	vent pipe	11 61 708	1	1		b
4	plug NW15	11 61 703	2	2		

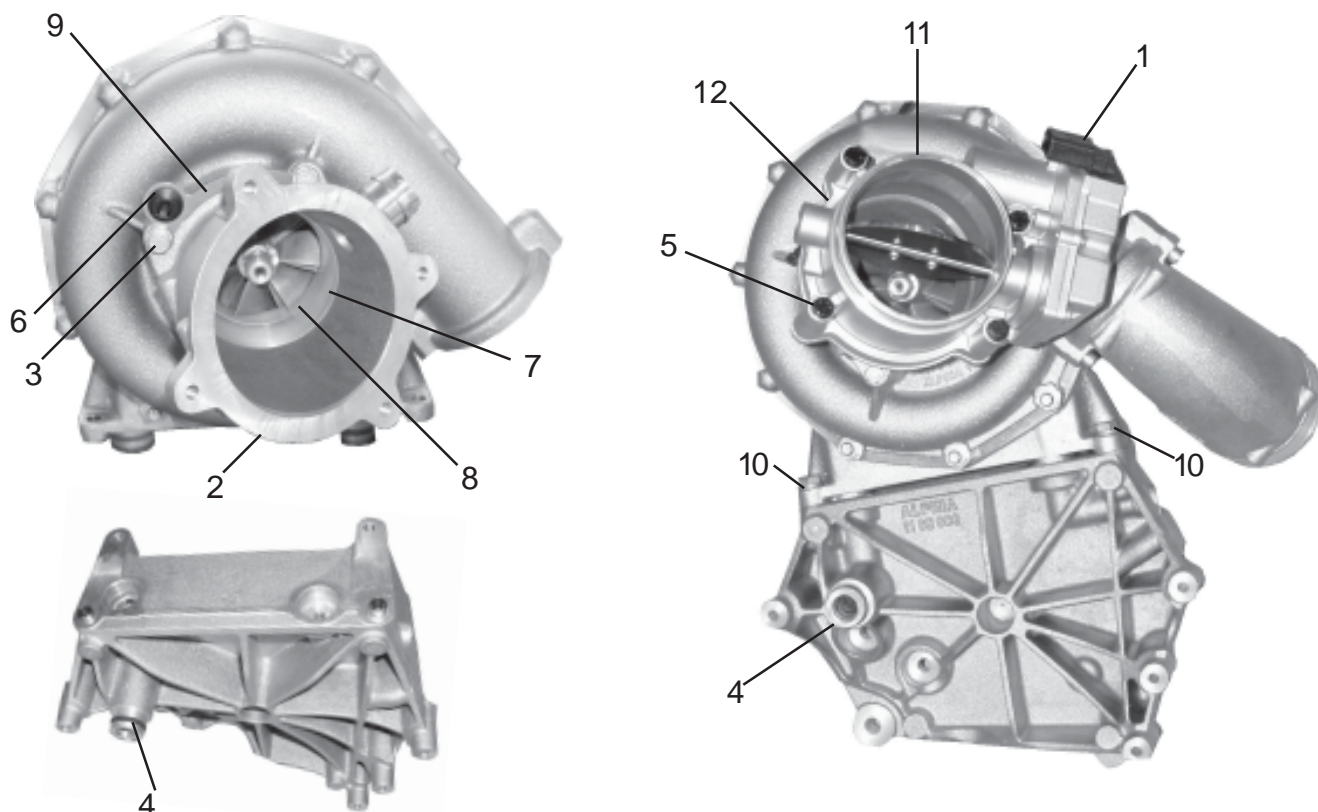
a) up to 03/07 (up to engine no. 19026) only with cylinder head cover 11 12 7 522 150

b) 03/07 and up (engine no. 19027 and up) only with cylinder head cover 11 12 7 563 474



P O S	expression	part number	B5	B5	RL	R E M
			Limousine	Touring		
1	bracket radial compressor	11 65 698	1	1		
2	dowel	11 12 1 726 238	2	2		a
3	dealing	11 42 1 702 917	2	2		
4	hex bolt M6x70 bracket-cylinder head	07 11 9 902 054	4	4		
5	hex bolt M10x90 bracket-generator	07 11 080	1	1		
6	radial compressor	11 65 751	1	1		AE
6	radial compressor	11 65 772	1	1		
7	reducing sleeve	11 42 639	1	1		a
8	hex bolt M8x30 compressor-bracket	07 11 9 902 930	2	2		
9	pulley on compressor	11 23 618	1	1		
10	bolt M6x20	11 12 1 736 602	4	4		b
11	set centrifugal clutch with centrifugal weights	11 65 702	1	1		AE
11	set centrifugal clutch with centrifugal weights	11 65 748	1	1		a
11	repair set friction linings	11 65 719	1	1		AE
11	repair set friction linings	11 65 749	1	1		a,c
12	elbow manifold	11 65 696	1	1		
13	sealing 59,99x2,62mm	11 65 691	1	1		a
14	cheese head screw M6x25	07 11 9 919 625	2	2		
15	spacer: observe fitting position " <b>VORN</b> "		1	1		
o.A.	screw for compressor cover	41 61 8 256 854	4	4		a
o.A.	sealing 65,00x1,80mm	13 70 704	1	1		a

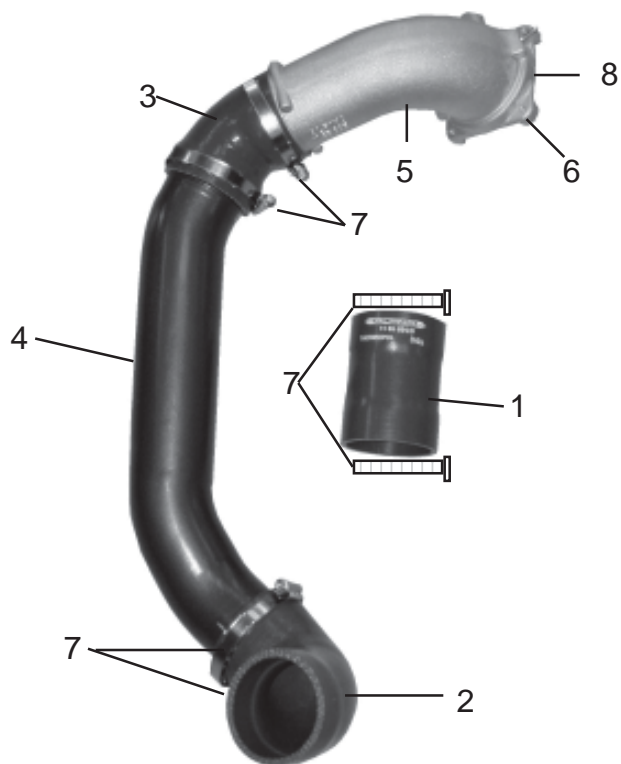
- a) included at pos. 6
- b) tightening torque: 9Nm
- c) see ALPINA-repair instructions 88 03 357



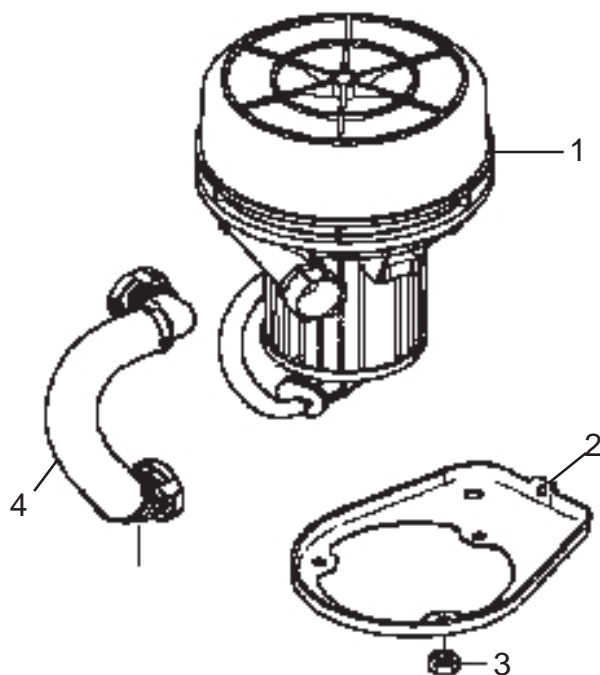
P O S	expression	part number	B5	B5	RL	R E M
			Limousine	Touring		
1	boost control element	13 54 651	1	1		AE     a
1	boost control element	13 54 652	1	1		
2	elbow manifold	13 70 700	1	1		
3	hex bolt M6x22	07 11 9 901 566	4	4		
4	sealing	11 42 1 702 917	1	1		
5	hex bolt M6x55	11 61 7 510 076	4	4		
6	bracket boost control element	61 11 207	1	1		
o.A.	cable clamp	61 13 8 375 988	1	1		
7	stator dummy	13 70 703	1	1		
8	sealing 65,00x1,80mm	13 70 704	1	1		
9	sealing Ø 79,5mm radial compr. - elbow	13 54 7 504 729	1	1		
10	hex bolt M8x35	07 11 9 900 261	2	2		
11	sealing boostcontr. - pipe	13 71 1 747 985	1	1		
12	sealing boostcontr. - elbow element	13 54 7 510 433	1	1		

a) tightening torque: 9Nm

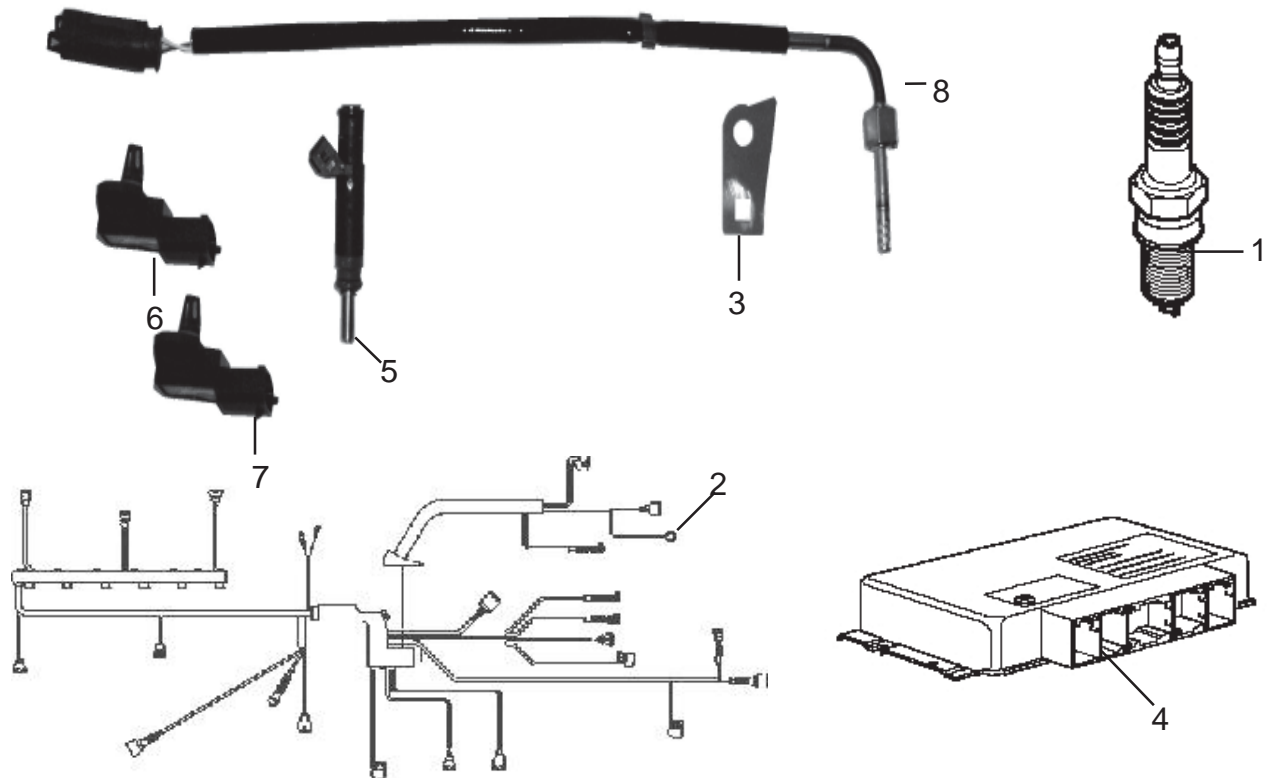




P O S	expression	part number	B5	B5	RL	R E M
			Limousine	Touring		
1	intercooler hose compressor-intercooler	11 65 694	1	1		AE
1	intercooler hose compressor-intercooler	11 65 707	1	1		
2	intercooler hose intercooler-throttle	11 65 681	1	1		AE
2	intercooler hose intercooler-throttle	11 65 722	1	1		
3	intercooler hose intercooler-throttle	11 65 684	1	1		AE
3	intercooler hose intercooler-throttle	11 65 723	1	1		
4	intercooler pipe intercooler-throttle	11 65 683	1	1		AE
4	intercooler pipe intercooler-throttle	11 65 728	1	1		AE
4	intercooler pipe intercooler-throttle	11 65 788	1	1		
5	intercooler pipe intercooler-throttle	11 65 695	1	1		
6	bolt with washer	07 11 9 901 962	4	4		
7	hose clamp	07 40 095	6	6		
8	sealing	13 71 1 747 985	1	1		



P O S	expression	part number	B5	B5	RL	R E M
			Limousine	Touring		
1	secondary air pump	11 72 7 514 953	1	1		
2	bracket	11 72 612	1	1		
3	nut M6	07 11 9 900 398	3	3		
4	secondary air hose	11 72 611	1	1		

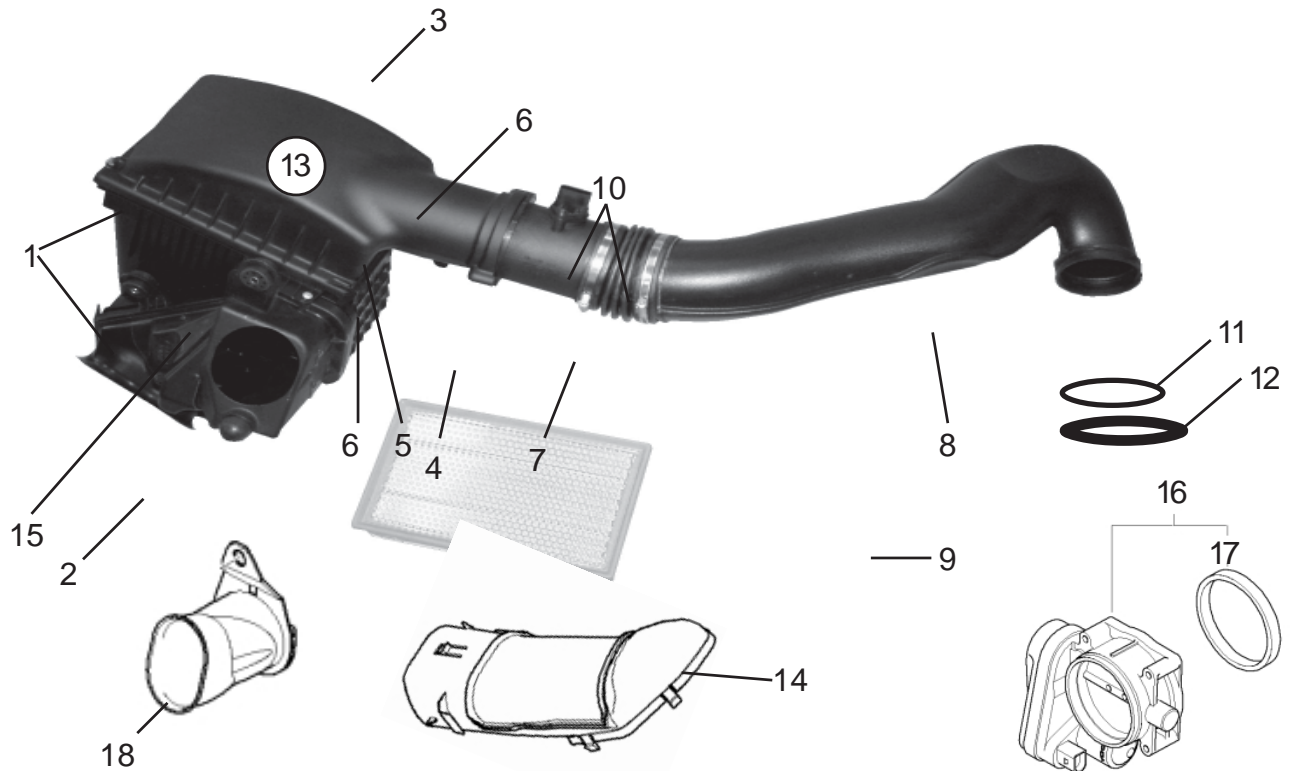


P O S	expression	part number	B5	B5	RL	R E M
			Limousine	Touring		
1	set spark plugs NGK PFR 7B	12 10 044	8	8		c
2	cable harness engine	61 11 212	1	1		AE
2	cable harness engine	61 11 219	1	1		
2	cable harness engine	61 11 213			1	AE
2	cable harness engine	61 11 220			1	
2	cable harness engine	61 11 225	1	1		a
2	cable harness engine	61 11 226			1	a
3	bracket exhaust gas temperatur sensor left	61 11 217	1	1		
3	bracket exhaust gas temperatur sensor right	61 11 218	1	1		
4	control unit Motronic ME9.2.1	13 57 661	1	1		
4	control unit Motronic ME9.2.2	13 57 665	1	1		a
4	control unit Motronic ME9.2.1	13 57 662			1	b
5	injection valve	13 53 610	8	8		
6	pressure/temperatur sensor	13 62 603	1	1		
7	boost pressure sensor	13 62 604	1	1		
8	exhaust gas temperatur sensor	11 78 7 836 452	2	2		

a) 03/07 and up

b) only GB LA 812

c) 8x spark plug 12 10 043, set label oilfilter 11 42 012, sealing 13 54 7 504 729



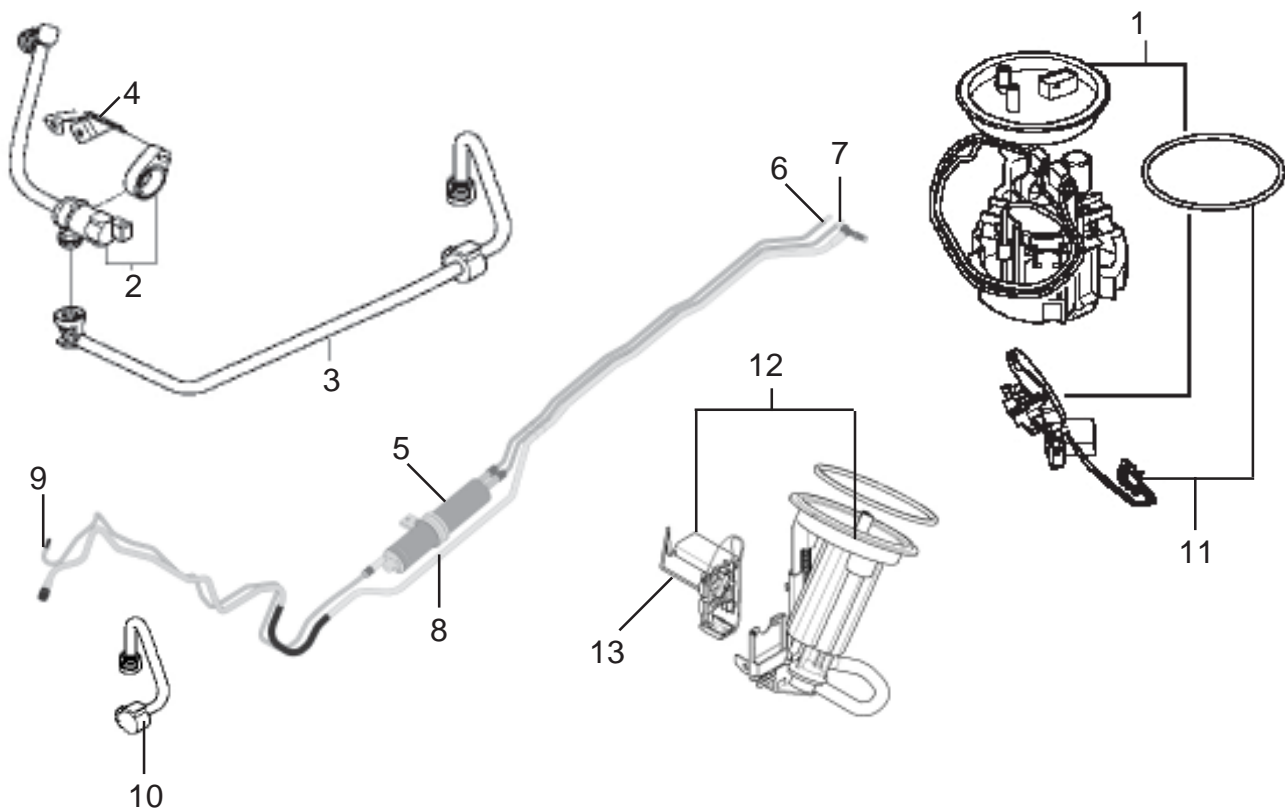
P O S	expression	part number	B5	B5	RL	R E M
			Limousine	Touring		
1	air-cleaner housing (w/o air-mass sensor)	13 70 709	1	1		
2	intake silencer	13 70 711	1	1		a
3	intake silencer cover	13 70 710	1	1		a
4	hot-film air-mass sensor	13 62 600	1	1		
5	sealing 98x6mm	13 70 702	1	1		
6	screw	13 71 1 715 678	2	2		
7	rubberbellows	13 70 698	1	1		
8	pipe	13 70 712	1	1		AE
8	pipe	13 70 728	1	1		d
9	air cleaner element	13 71 7 793 647	1	1		a
10	hose clamp 90-110mm	07 40 066	2	2		c
11	sealing	13 70 727	1	1		c
12	hose clamp 89-96mm	07 40 077	2	2		bc
13	cable clamp	12 52 1 732 530	1	1		a
14	intake snorkel	13 70 714	1	1		
15	clamp	13 71 9 071 752	4	4		a
16	throttle housing	13 54 7 506 627	1	1		
17	sealing	13 54 7 510 433	1	1		
i.V.	hose clamp	07 40 077	2	2		
18	intake duct	13 71 7 792 417	1	1		
o.A.	Bracket intake silencer	51 71 7 900 480	1	1		

a) included at Pos. 1)

c) only in combination with pos.8

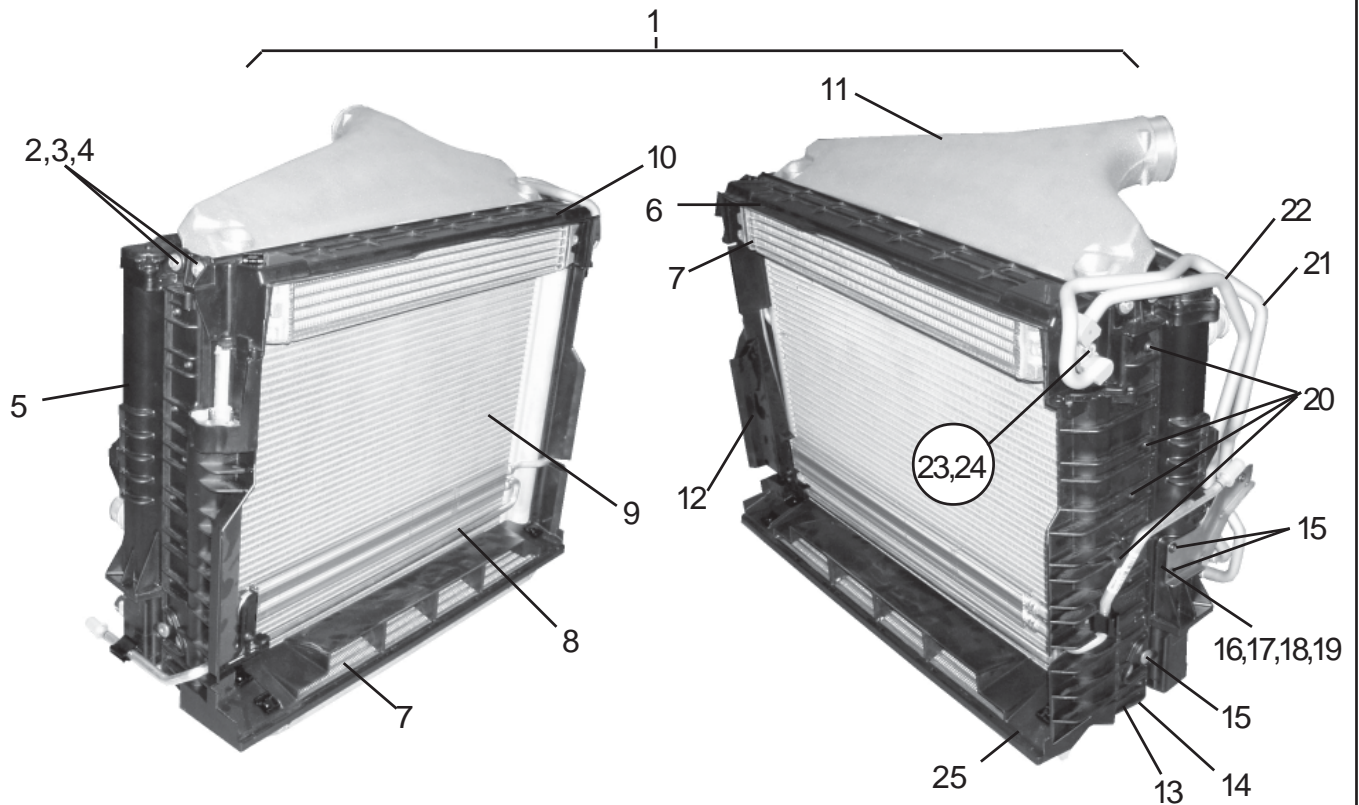
b) tightening torque: **1Nm+-0,5 Nm**

d) only in combination with pos. 11 and 12



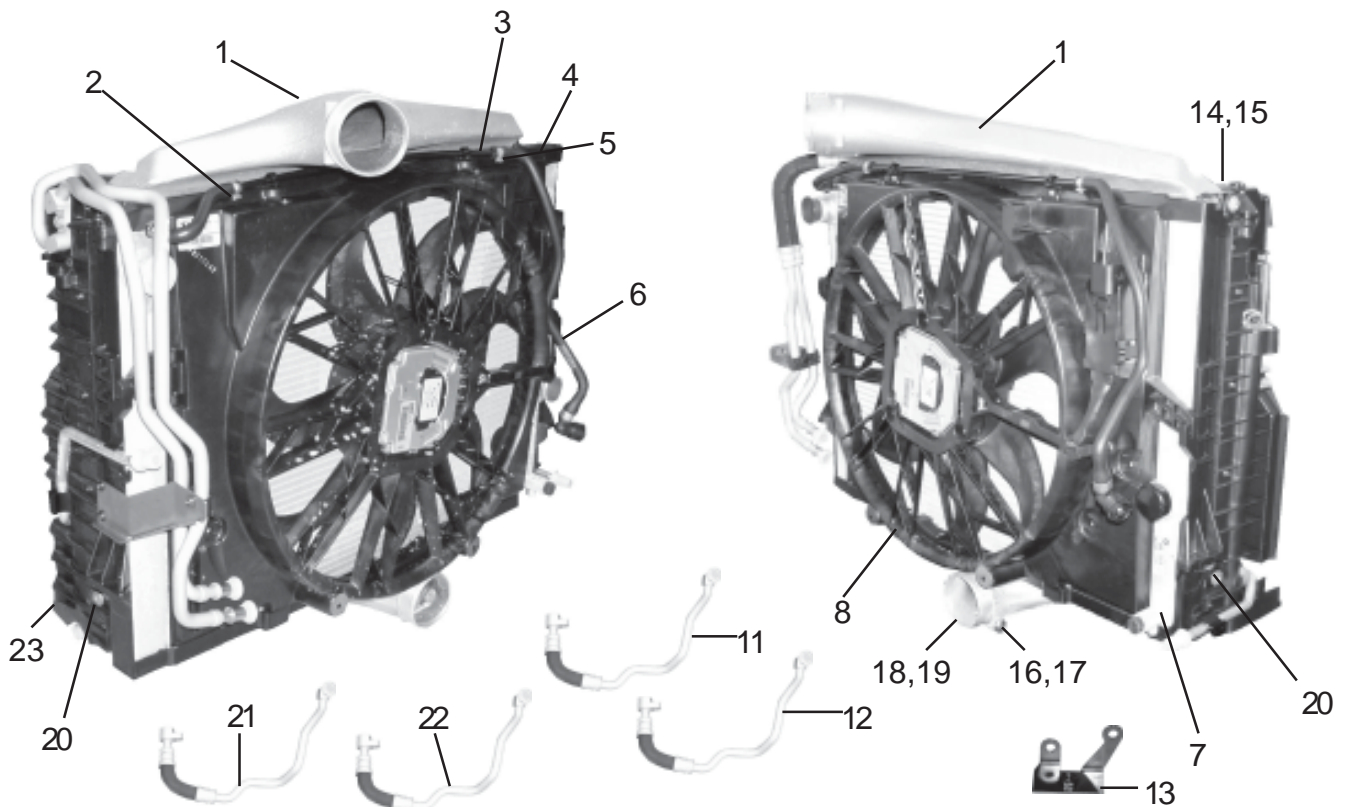
P O S	expression	part number	B5	B5	RL	R E M
			Limousine	Touring		
1	delivery unit with in-tank pump, right	16 14 6 766150	1	1		
1	delivery unit with in-tank pump, right	16 14 6 766151	1	1		a
2	tank breather valve	13 90 601	1	1		AE
2	tank breather valve	13 90 616	1	1		
3	tank breather pipe	13 90 608	1	1		
4	bracket tank breather valve	13 90 603	1	1		
5	fuel filter with pressure regulator	16 10 669	1	1		
6	fuel pipe (first flow)	16 10 670	1	1		
7	fuel pipe (return flow)	16 10 673	1	1		
8	purge pipe	13 90 607	1	1		
8	purge pipe	13 90 610	1	1		b
9	fuel pipe front	16 10 671	1	1		
9	fuel pipe front	16 10 687	1	1		b
10	fuel pipe (return flow tank)	16 10 672	1	1		
11	right fuel level sensor	16 14 6 765 824	1	1		
12	delivery unit with fuel level sensor left	16 10 679	1	1		
13	left fuel level sensor	16 14 6 766 008	1	1		

a) with independent car heater  
b) 03/07 and up



P O S	expression	part number	B5	B5	RL	R E M
			Limousine	Touring		
1	cooling package	17 10 646	1	1		
2	hex bolt M6x30	07 11 9 903 994	2	2		
3	rubber grommet	13 71 1 702 508	2	2		
4	dowel	13 71 1 438 765	2	2		
5	bracket cover back	17 10 645	1	1		
6	compensator	17 11 7 508 501	3	3		
7	oil cooler engine+transmission	17 10 663	2	2		AE
7	oil cooler engine+transmission	17 10 664	2	2		a
8	oil cooler power steering	17 21 601	1	1		
9	condenser air conditioning	64 50 709	1	1		
10	bracket cover front	17 10 649	1	1		
11	intercooler	17 50 611	1	1		b
12	bracket front	17 10 648	1	1		AE
12	bracket front	17 10 672	1	1		
13	bracket	17 50 607	2	2		
14	hex bolt M6x20	07 11 9 901 787	4	4		
15	fillister head screw M6x26	07 14 7 072 901	6	6		
16	bracket oil pipe	17 22 7 519 270	1	1		
17	dowel	17 22 7 525 819	1	1		
18	screw	51 41 8 192 749	1	1		
19	washer	07 33 109	1	1		
20	screw	17 11 1 716 613	25	25		
21	transmission oil cooler pipe (first flow)	17 22 615	1	1		
22	transmission oil cooler pipe (return flow)	17 22 616	1	1		
23	hex bolt M8x30	17 11 1 712 568	1	1		
24	sealing	17 22 2 245 358	2	2		
25	hex bolt M7x30	07 11 9 901 679	2	2		

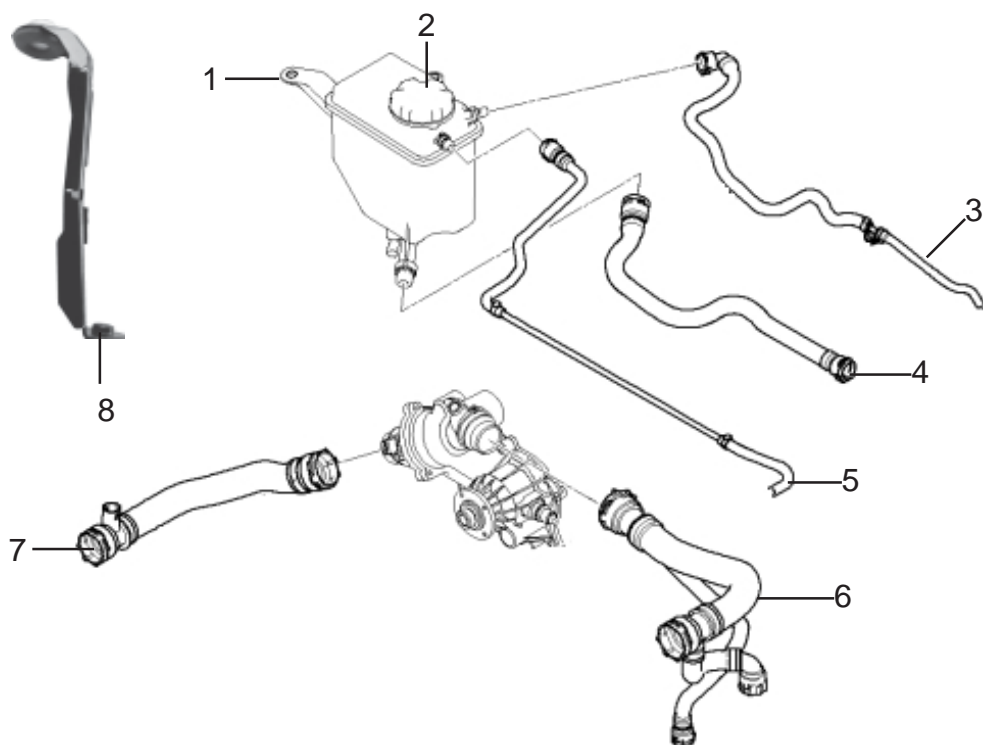
a) change only by pairs!  
b) w/o connecting tube 17 10 613



P O S	expression	part number	B5	B5	RL	R E M
			Limousine	Touring		
1	intercooler	17 50 611	1	1		
2	clamp	07 40 081	1	1		
3	rivet	51 16 1 881 149	2	2		
4	bracket cover back	17 10 626	1	1		
5	clip	61 13 8 368 029	2	2		
6	vacuum hose	17 12 606	1	1		
7	radiator	17 11 7 532 770	1	1		
8	fan	17 10 647	1	1		AE
8	fan	17 10 668	1	1		b
11	engine oil cooler pipe inlet (joining engine)	17 22 608	1	1		a
12	engine oil cooler pipe outlet (joining engine)	17 22 609	1	1		a
13	bracket engine oil cooler (joining engine)	17 10 642	1	1		
14	socket	17 10 641	2	2		
15	clip	07 12 9 903 337	2	2		
16	Dichtring	07 11 9 963 130	1	1		
17	plug bolt	07 39 004	1	1		
18	connecting tube intercooler	17 50 613	1	1		a
19	screw	41 35 7 007 125	4	4		a
20	cooling package support	17 11 600	2	2		
21	engine oil cooler pipe inlet (joining cooler)	17 22 617	1	1		
22	engine oil cooler pipe outlet (joining cooler)	17 22 618	1	1		AE
22	engine oil cooler pipe outlet (joining cooler)	17 22 620	1	1		
23	dowel	17 10 653	1	1		

a) not included at pos. 1)

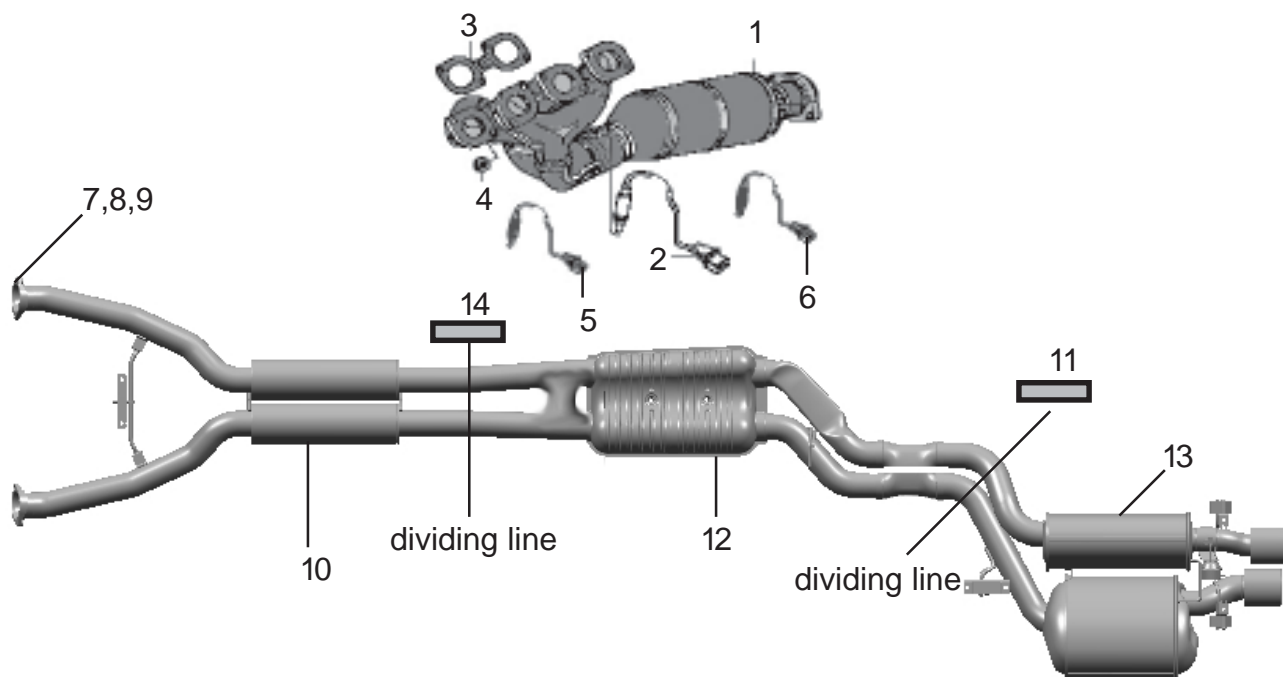
b) to ALPINA production 10/06, only in combination with intercooler hose 11 65 728



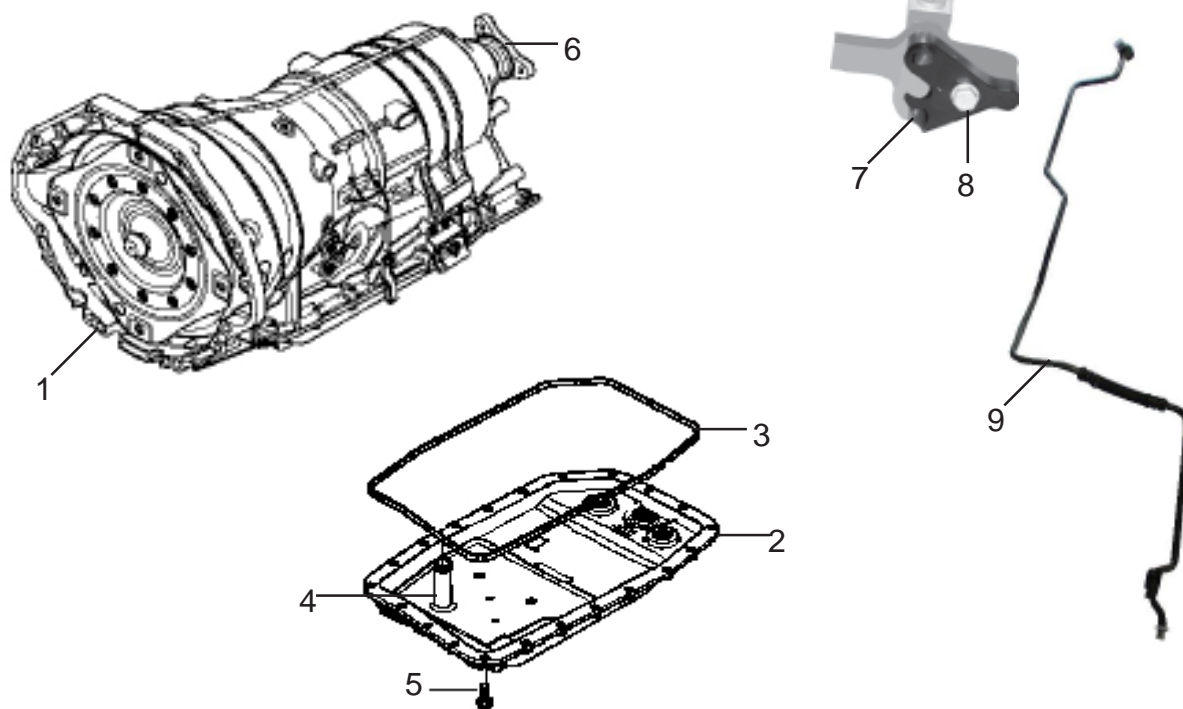
P O S	expression	part number	B5	B5	RL	R E M
			Limousine	Touring		
1	expansion reservoir	17 13 600	1	1		a
2	radiator cap	17 13 7 516 004	1	1		
3	breather pipe - crankcase	17 12 608	1	1		
4	return flow pipe	17 12 607	1	1		
5	breather pipe - cooler	17 12 606	1	1		
6	inlet pipe	17 12 605	1	1		
7	outlet pipe	17 12 600	1	1		
8	bracket expansion reservoir	17 13 602	1	1		

a) included at pos. 1





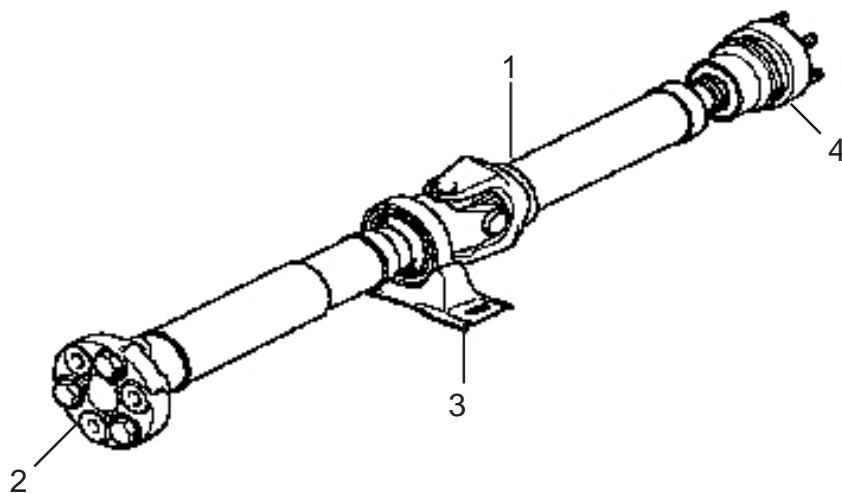
P O S	expression	part number	B5	B5	RL	R E M
			Limousine	Touring		
1	exhaust manifold w/ catalytic converter 1-4	18 10 909	1	1		
1	exhaust manifold w/ catalytic converter 1-4	18 10 911			1	
1	exhaust manifold w/ catalytic converter 5-8	18 10 910	1	1		
1	exhaust manifold w/ catalytic converter 5-8	18 10 912			1	
2	exhaust gas temperatur sensor	11 78 7 836 452	2	2		
3	gasket	11 62 7 505 789	3	3		
3	gasket	11 62 7 505 789			4	
3	gasket cyl. 3-4	11 62 7 505 788	1	1		
4	hex nut	11 62 7 509 731	x	x		
5	oxygen sensor cyl. 1-4	11 78 7 516 150	1	1		
5	oxygen sensor cyl. 1-4	11 78 7 512 982			1	
5	oxygen sensor cyl. 5-8	11 78 7 521 705	1	1		
6	oxygen sensor cyl. 1-4	11 78 7 512 567	1	1		
6	oxygen sensor cyl. 5-8	11 78 7 512 002	1	1		
7	gasket	11 62 7 832 535	2	2		
8	hex nut M10	18 30 1 317 898	4	4		
9	bolt M10x45	11 61 1 318 568	4	4		
10	front silencer	18 10 918	1	1		
11	welding bush	18 10 924	2	2		
12	central silencer	18 10 923	1	1		
13	rear silencer	18 10 919	1			
13	rear silencer	18 10 929		1		
14	clamping sleeve	18 10 7 560 780	2	2		



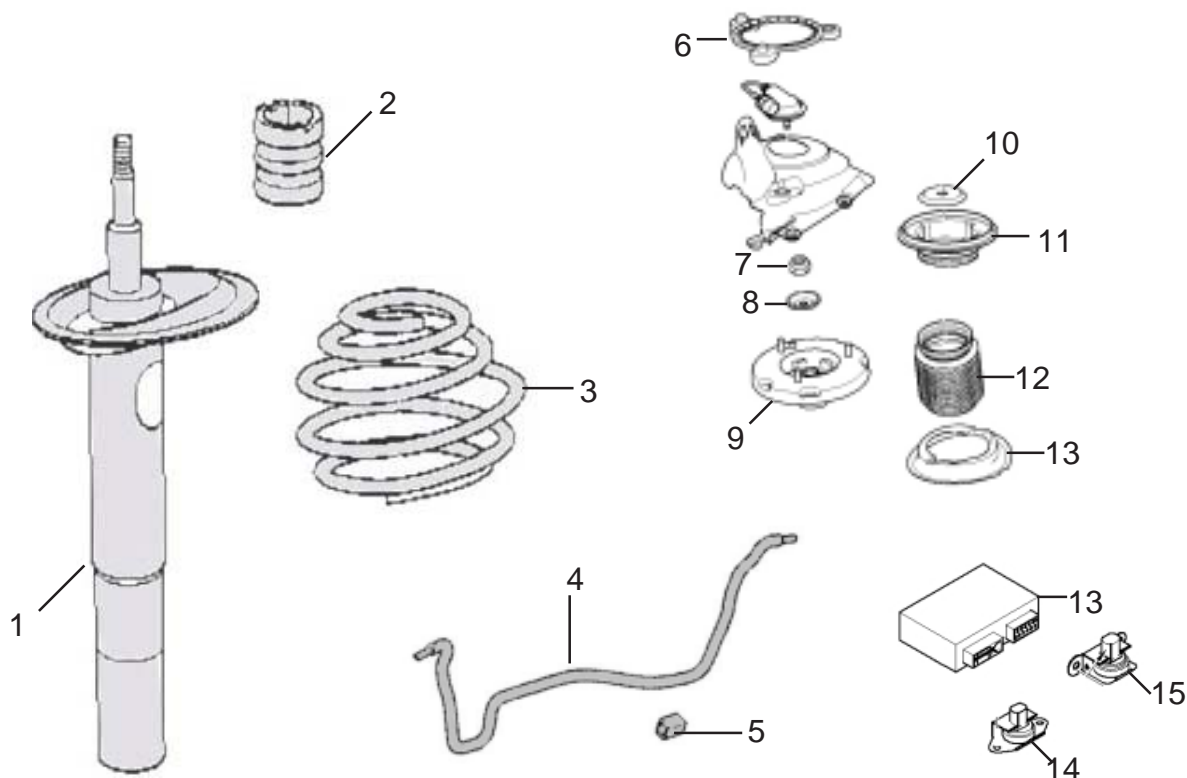
P O S	expression	part number	B5	B5	RL	R E M
			Limousine	Touring		
1	automatic transmisson ZF6HP26	24 10 659	1	1		AE
1	rmfd automatic transmisson ZF6HP26	24 10 663T	1	1		
1	automatic transmisson ZF6HP26	24 10 668	1	1		a
1	rmfd automatic transmisson ZF6HP26	24 10 669T	1	1		b
2	oil pan	24 10 661	1	1		
3	gasket	24 11 7 543 484	1	1		
4	oil filter	24 11 7 543 550	1	1		
5	oil drain plug with sealing	24 11 7 543 549	1	1		
6	output flange	24 20 7 522 974	1	1		
7	thermostat	24 10 656	1	1		
8	hex bolt M8x60	07 11 9 902 176	1	1		
9	transmission oil cooler pipe inlet	17 22 613	1	1		
9	transmission oil cooler pipe outlet	17 22 614	1	1		

a) 03/07 and up to 09/07

b) 09/07 and up



P O S	expression	part number	B5 Limousine	B5 Touring	RL	R E M
1	drive shaft	26 10 614	1	1		
2	universal joint	26 11 7 518 443	1	1		
3	central mount	26 12 7 521 856	1	1		
4	constant velocity joint	26 11 7 518 449	1	1		
	drive shaft single parts: see BMW parts catalogue E65 760i					



P O S	expression	part number	B5	B5	RL	R E M
			Limousine	Touring		
1	suspension leg left front	31 31 661	1	1		
1	suspension leg left front	31 31 669	1	1		a
1	suspension leg right front	31 31 662	1	1		
1	suspension leg right front	31 31 670	1	1		a
2	damper	31 33 7 905 316	2	2		
2	damper	31 33 2 283 182	2	2		a
3	coil spring	31 33 628	2	2		b
3	coil spring	31 33 641	2	2		b
3	coil spring	31 33 648	2	2		b
3	coil spring	31 33 631	2	2		a,b
3	coil spring	31 33 632	2	2		a,b
4	stabilizer bar front D=25,5mm	31 35 6 766 508	1	1		
4	stabilizer bar front D=25,6mm	31 35 7 905 312	1	1		a
5	stabilizer rubber mounting	31 35 6 766 509	2	2		
6	bracket cover	31 31 2 283 166	2	2		a
7	hex nut	31 10 6 779 396	2	2		a
8	spacer	31 33 2 282 679	2	2		a
9	guide bearing	31 33 2 282 651	2	2		a
10	spacer	31 33 2 283 038	2	2		a
11	upper spring pad	31 33 1 091 233	2	2		a
12	rubber boot	31 33 1 093 344	2	2		a
13	EDC control unit (03/07 bis 09/07)	37 14 6 779 672	1	1		a
13	EDC control unit (ab 09/07)	37 14 7 840 414	1	1		
	bracket for control unit	37 10 7 835 872	1	1		a
14	accelerating sensor front	37 14 6 776 213	1	1		a
15	accelerating sensor rear	37 14 6 776 214	1	1		a

a) 03/07 and up

b) see spring table

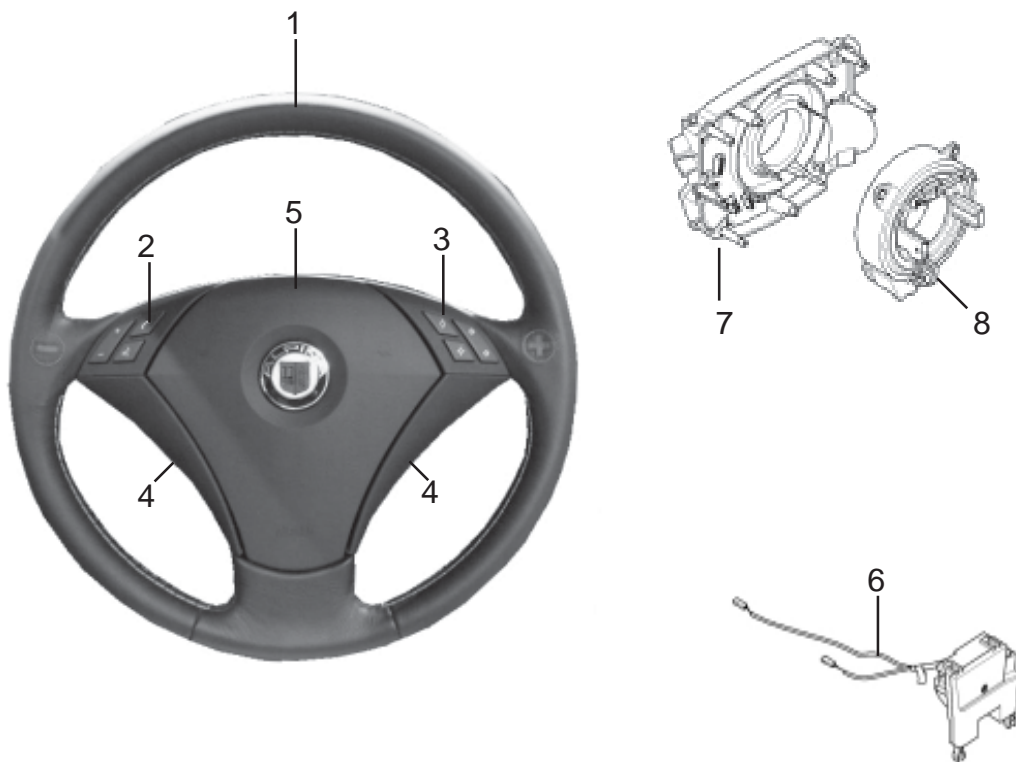


BMW ALPINA B5  
BMW ALPINA B5 S

steering wheel

page  
1

group  
32



P O S	expression	part number	B5	B5	RL	R E M
			Limousine	Touring		
1	steering wheel rim leather to 08/05	32 33 226	1			ab
1	steering wheel rim leather from 09/05-03/07	32 33 227	1	1		ab
1	steering wheel rim leather from 03/07-11/08	32 33 230	1			ab
1	steering wheel rim leather from 03/07-11/08	32 33 231	1	1		ab
1	steering wheel rim leather from 11/08	32 33 238	1	1		ab
1	steering wheel rim leather from 11/08	32 33 239	1	1		ab
2	MFL-switch left leather to 03/07	32 33 225	1	1		
3	MFL-switch right leather to 03/07	32 33 217	1	1		
2	MFL-switch right leather from 03/07-11/08	32 33 242	1	1		c
3	MFL-switch left leather from 03/07-11/08	32 33 243	1	1		c
2	MFL-switch right leather from 03/07-11/08	32 33 244	1	1		d
3	MFL-switch left leather from 03/07-11/08	32 33 245	1	1		d
2	MFL-switch right leather from from 11/08	32 33 246	1	1		c
3	MFL-switch left leather from 11/08	32 33 247	1	1		c
2	MFL-switch right leather from 11/08	32 33 248	1	1		d
3	MFL-switch left leather from 11/08	32 33 249	1	1		d
4	set of decorative clips leather to 03/07	32 33 218	1	1		
5	airbag to 08/05	32 33 211	1	1		
5	airbag from 09/05-03/07	32 33 222	1	1		
5	airbag from 03/07	32 33 228	1	1		c
5	airbag from 03/07	32 33 229	1	1		d
6	control unit steering wheel	61 31 604	1	1		
7	switch unit steering column to 08/05	61 31 6 962 940	1	1		
7	switch unit steering column from 09/05-03/07	61 31 6 973 788	1	1		e
8	coil spring cartridge to 08/05	61 31 6 911 515	1	1		
8	coil spring cartridge from 09/05	61 31 6 976 395	1	1		

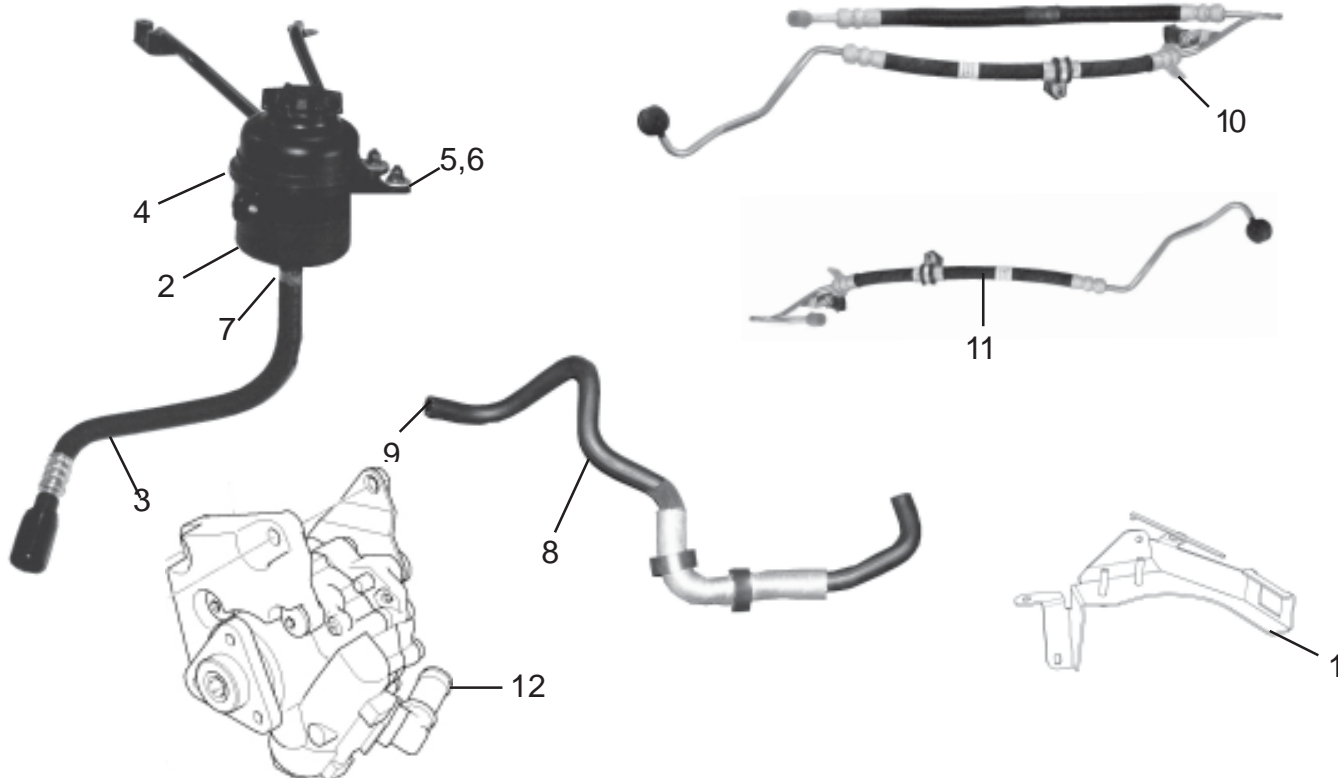
a) including pos. 2) and 3)

b) seams in green-blue, please indicate other colours

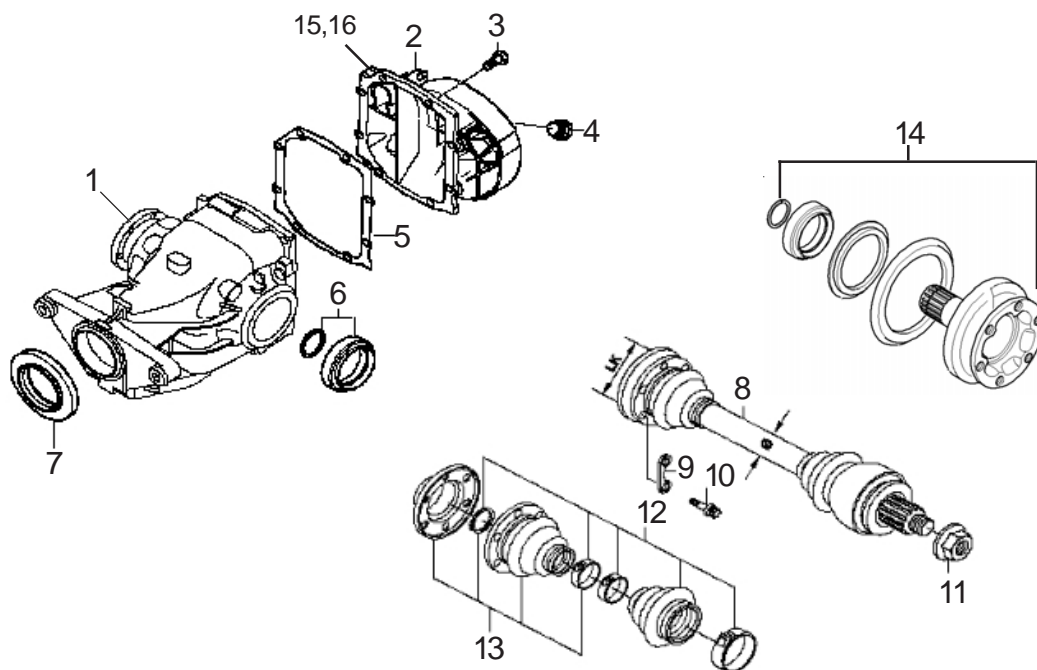
e) then series BMW

c) without SA 5AD

d) with SA 5AD

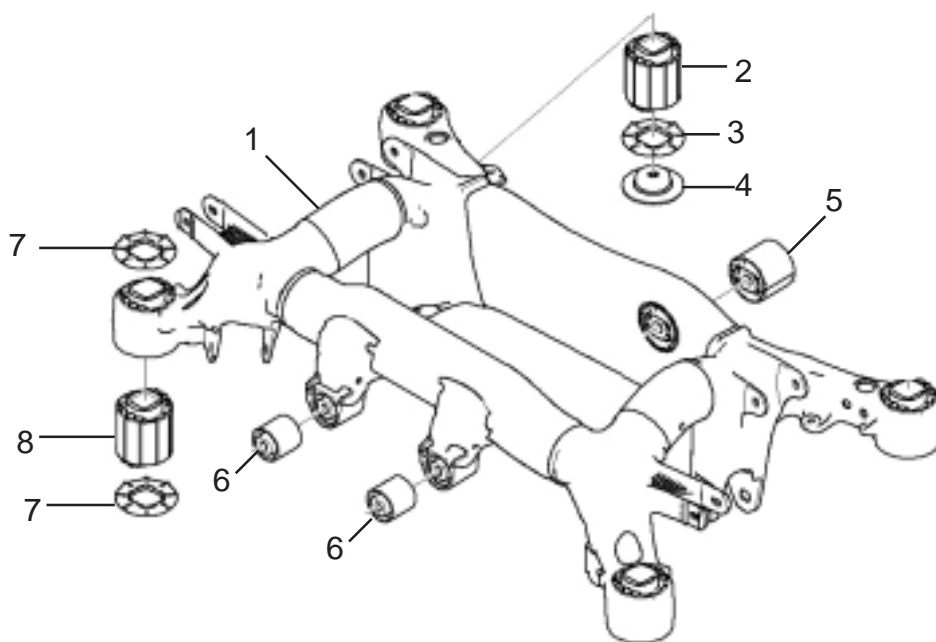


P O S	expression	part number	B5	B5	RL	R E M
			Limousine	Touring		
1	bracket oil carrier	32 41 641	1	1		
2	oil carrier	32 41 1 097 164	1	1		
3	cooler pipe outlet	32 41 639	1	1		
4	bracket	32 41 1 141 795	1	1		
5	rubber mounting	37 21 1 119 643	2	2		
6	dowel	32 41 1 095 937	2	2		
7	hose clamp	32 41 6 751 128	1	1		
8	suction pipe	32 41 634	1	1		
9	hose clamp	07 12 9 952 109	1	1		
10	expansions pipe	32 41 635	1	1		
10	expansions pipe	32 41 636			1	
11	back flow pipe	32 41 637	1	1		
11	back flow pipe	32 41 638			1	
12	power-steering pump	32 41 6 762 158	1	1		



P O S	expression	part number	B5	B5	RL	R E M
			Limousine	Touring		
1	rear axle 230L i=3,38	33 10 696	1	1		
1	rear axle 230L i=3,38 with locking differential	33 10 698	1	1		
1	rear axle 230L i=3,38	33 10 697		1		a
1	rear axle 230L i=3,38 with locking differential	33 10 699		1		a
2	rear axle cover type 230L	33 11 600	1			
2	rear axle cover type 230L	33 11 602		1		a
3	bolt with ribs	33 11 7 521 292	7	7		
3	bolt with ribs	33 11 7 521 293	1	1		
4	screw plug with sealing	33 11 7 525 064	2	2		
5	gasket	33 11 7 536 253	1	1		
6	shaft seal with lock ring	33 10 7 505 605	2	2		
7	shaft seal	33 10 1 213 412	1	1		
8	output shaft LK=100mm/D=35mm	33 20 7 523 694	2	2		
9	spacer	33 21 7 502 655	6	6		
10	bolt with ribs	26 11 7 501 270	12	12		
11	nut	33 41 1 133 785	2	2		
12	repair kit boot inner	33 21 7 523 695	2	2		
13	repair kit boot outer	33 21 7 523 696	2	2		
14	drive flange output	33 13 7 527 749	2	2		
15	screw	07 11 9 904 539	1	1		
16	sealing	07 11 9 963 225	1	1		

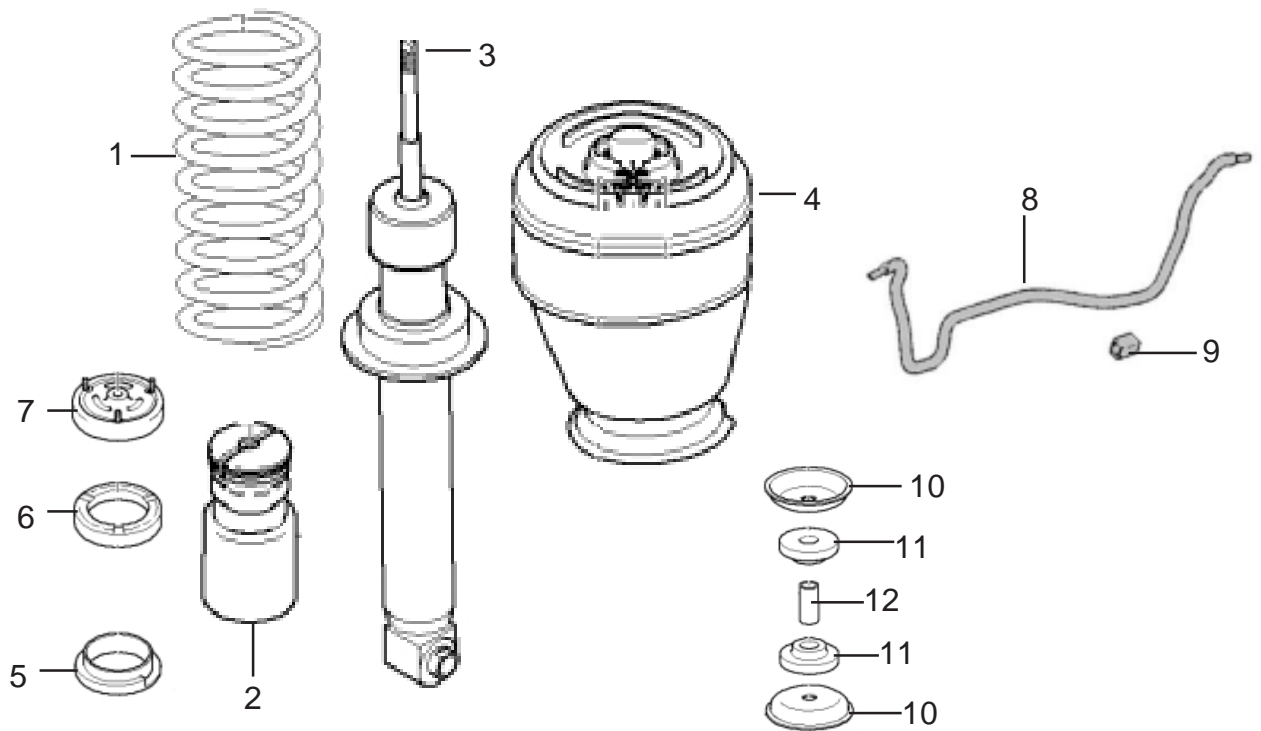
other rear axle parts: E65 760i  
a) only with SA 402 (panoramic sunroof)



P O S	expression	part number	B5	B5	RL	R E M
			Limousine	Touring		
1	rear axle support	33 31 6 770 827	1	1		a
2	rubber mounting	33 31 2 282 727	2	2		
3	stopper rear	33 31 2 283 192	2	2		
4	stopper rear left	33 31 6 764 889	1	1		
4	stopper rear right	33 31 6 764 890	1	1		
5	rear rubber mounting	33 17 6 770 825	1	1		
6	front rubber mounting	33 17 6 767 525	2	2		
7	stopper front	33 31 6 765 404	4	4		
8	rubber mounting	33 31 6 764 904	2	2		

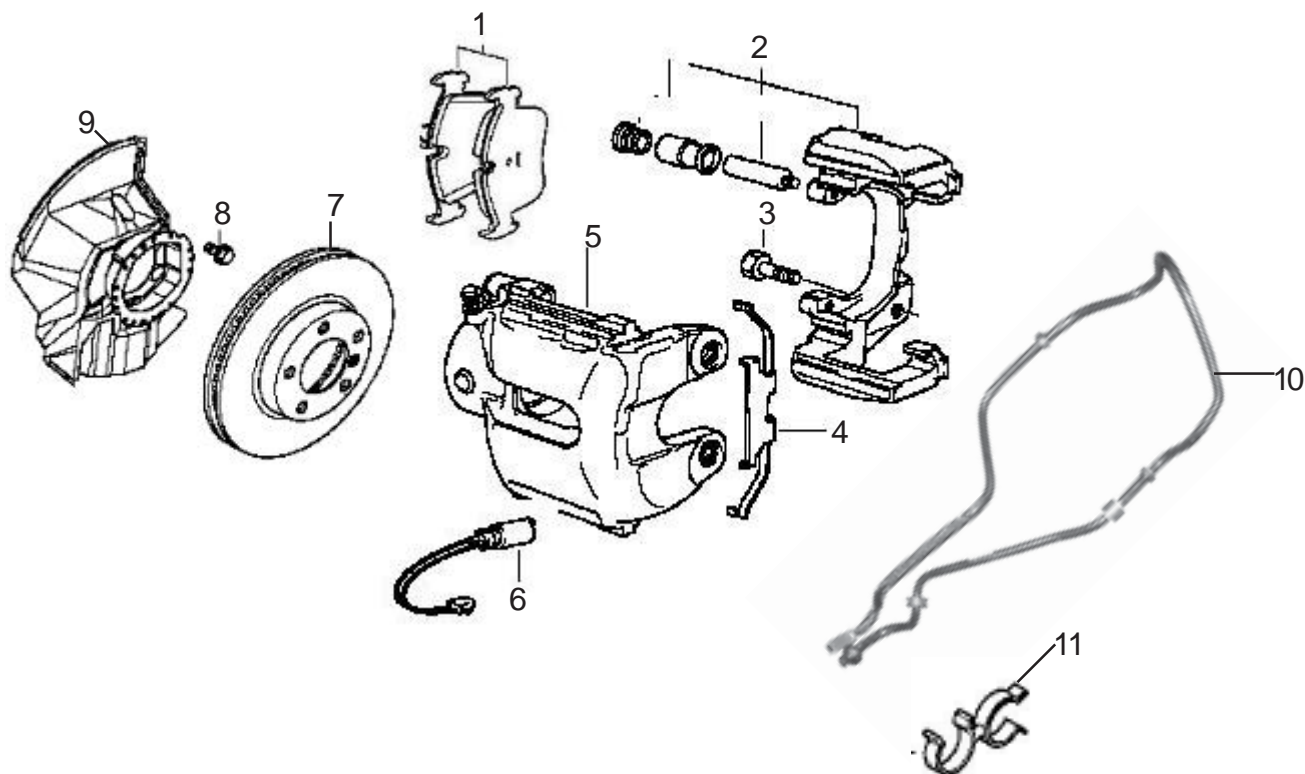
a) rear rubber mounting have to be changed with pos.2!





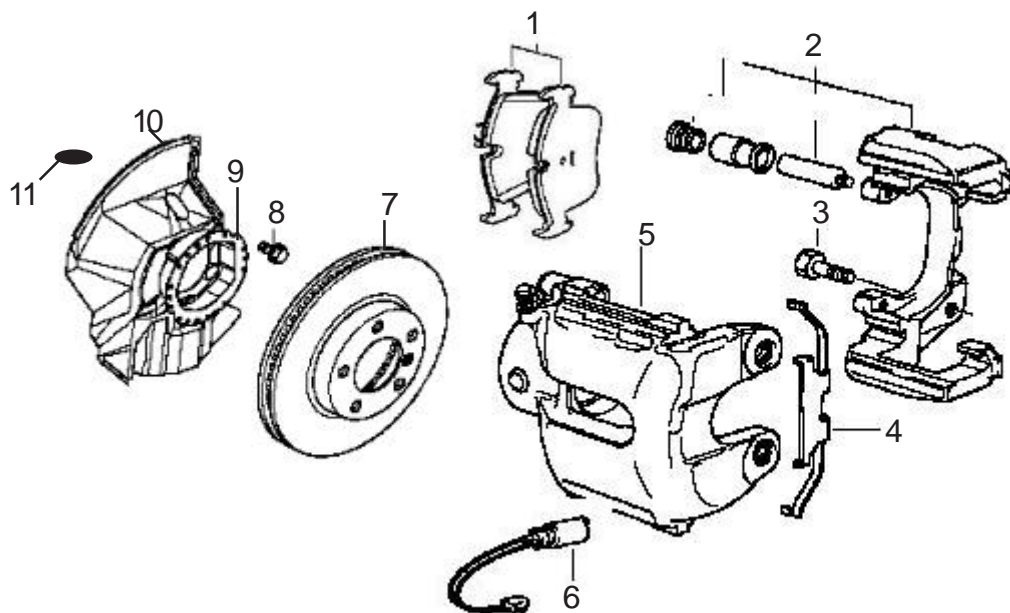
P O S	expression	part number	B5	B5	RL	R E M
			Limousine	Touring		
1	coil spring	33 53 629	2			a
1	coil spring	33 53 630	2			a
1	coil spring	33 53 631	2			a
1	coil spring	33 53 632	2			a
2	dumper	33 53 6 761 027	2			
2	dumper	33 53 6 762 722	2			b
2	dumper	33 53 6 764 898		2		
3	shock absorber	33 52 648	2			
3	shock absorber	33 52 656	2			b
3	shock absorber	33 52 6 769 011		2		
3	shock absorber	33 52 2 283 747		2		b
4	pneumatic spring	37 12 6 765 603		2		
5	lower spring pad	33 53 2 229 913	2			b
6	upper spring pad	33 53 2 282 767	2			b
7	guide support	33 52 2 282 766	2			b
8	stabilisator bar D=16mm	33 55 7 906 822	1	1		
8	stabilisator bar D=18mm	33 55 2 283 073	1	1		b
9	stabilizer rubber mounting	33 55 6 761 004	2	2		
9	stabilizer rubber mounting	33 55 2 283 073	2	2		b
10	supporting cub	33 52 2 283 868		2		b
11	guide support	33 52 2 283 879		2		b
12	spacer	33 52 2 283 869		2		b
13	hex nut	31 10 6 769 443		2		b

a) see spring table  
b) 03/07 and up

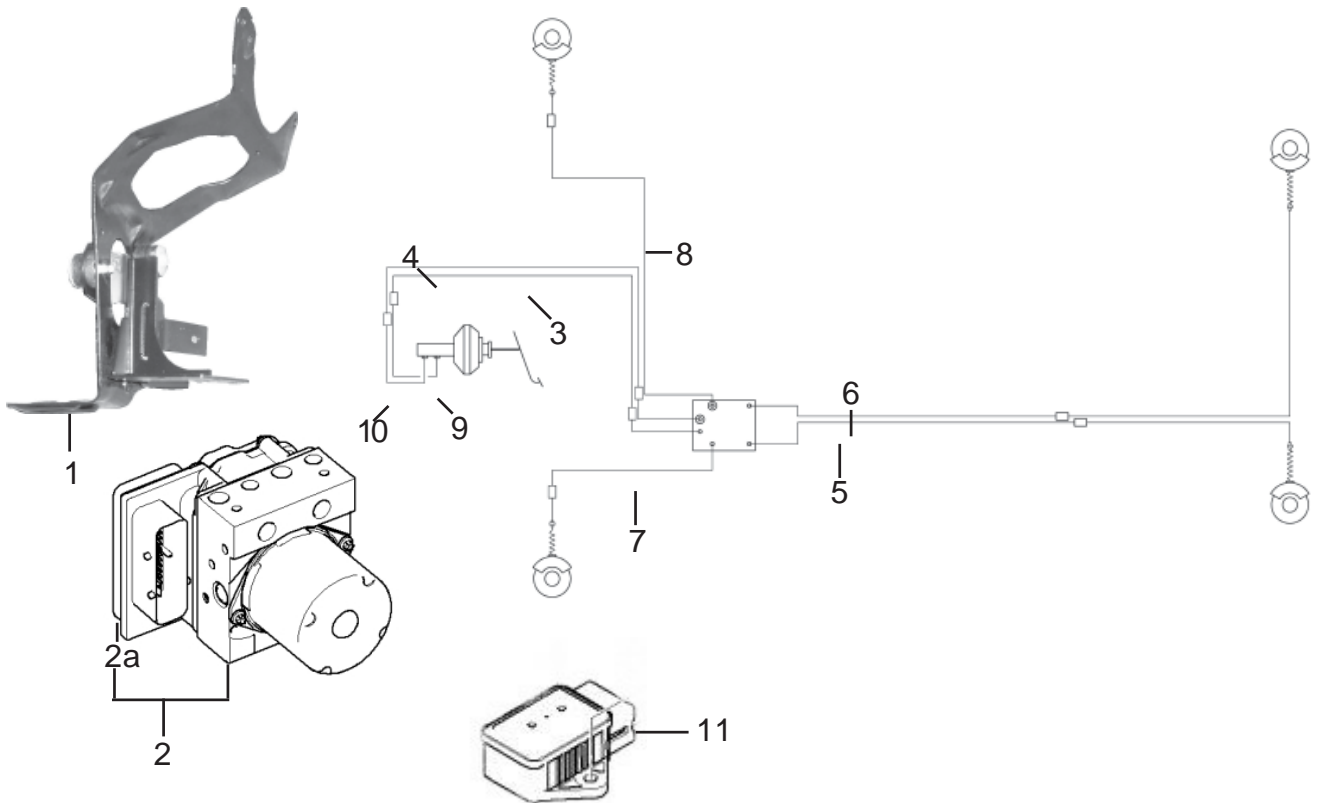


P O S	expression	part number	B5	B5	RL	R E M
			Limousine	Touring		
1	brake pads	34 11 6 763 652	1	1		
2	brake carrier	34 11 6 763 996	2	2		
3	hex bolt M12x1,5x43	34 11 6 772 117	4	4		
4	clip	34 11 6 761 793	2	2		
5	caliper housing left	34 11 6 761 795	1	1		
5	caliper housing right	34 11 6 761 796	1	1		
6	brake pad wear indicator	34 35 6 789 492	1	1		
7	brake disc	34 11 6 663	2	2		
8	hex bolt	34 11 6 772 886	8	8		
9	protection plate left	34 11 6 767 647	1	1		
9	protection plate right	34 11 6 767 648	1	1		
10	vacuum hose	34 33 604	1	1		AEa
10	vacuum hose	34 33 607	1	1	x	a
10	vacuum hose	34 33 605	1	1		AEb
10	vacuum hose	34 33 608	1	1	x	b
11	bracket vacuum hose	34 33 603	1	1		

a) only LHD  
b) only RHD



P O S	expression	part number	B5	B5	RL	R E M
			Limousine	Touring		
1	brake pads	34 11 6 763 305	1	1		AE W
1	brake pads	34 11 6 761 286	1	1		
1	brake pads	34 21 6 768 471	1	1		
2	brake carrier	34 21 6 760 420	2	2		
3	hex bolt M12x1,5x43	34 11 6 772 117	4	4		
4	clip	34 21 6 753 675	2	2		
5	brake housing left	34 21 6 753 679	1			
5	brake housing right	34 21 6 753 680	1			
5	brake housing left	34 21 6 765 911		1		
5	brake housing right	34 21 6 765 912		1		
6	brake pad wear indicator	34 35 6 789 493	1			
6	brake pad wear indicator	34 35 6 789 494		1		
7	brake disc	34 21 618	2	2		
8	hex bolt	34 21 6 772 121	8	8		
9	supporting ring	34 21 6 752 491	2	2		
10	protection plate left	34 21 6 754 629	1			
10	protection plate left	34 21 621		1		
10	protection plate right	34 21 6 754 630	1			
10	protection plate right	34 21 622		1		
11	gasket	34 21 1 166 260	2	2		

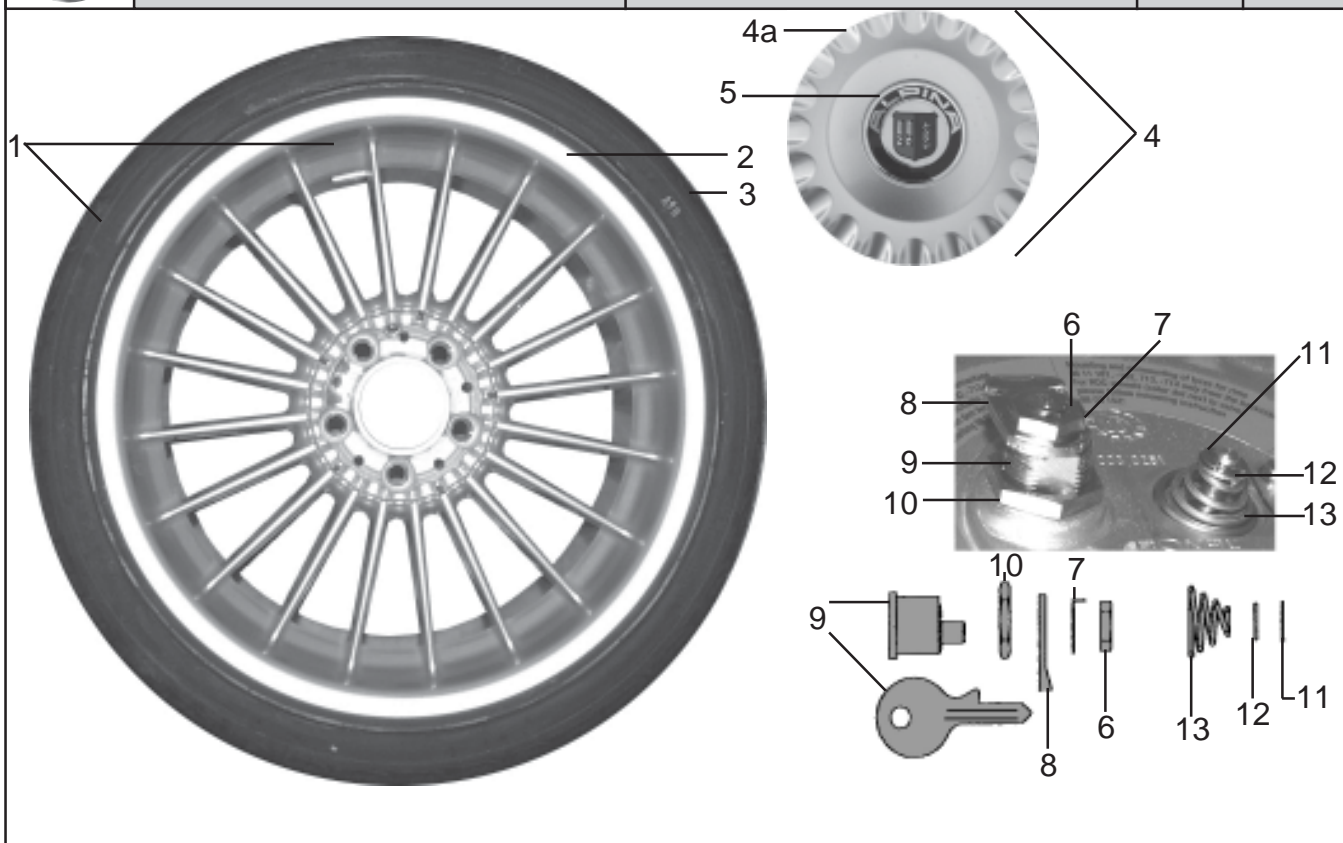


P O S	expression	part number	B5	B5	RL	R E M
			Limousine	Touring		
1	bracket DSC control unit	34 51 604	1	1		
2	hydro unit DSC	34 51 6 777 879	1	1		ef
2	repair kit, control unit DSC	34 52 6 777 881	1	1		ef
3	brake circuit pipe front part 2	34 32 600	1	1		a,c
3	brake circuit pipe front part 2	34 32 617	1	1		a,d
3	brake circuit pipe front part 2	34 32 606			1	a,c
3	brake circuit pipe front part 2	34 32 619			1	a,d
4	brake circuit pipe rear part 2	34 32 601	1	1		b,c
4	brake circuit pipe rear part 2	34 32 618	1	1		b,d
4	brake circuit pipe rear part 2	34 32 607			1	b,c
4	brake circuit pipe rear part 2	34 32 620			1	b,d
5	brake circuit pipe rear left part 3	34 32 602	1	1		c
5	brake circuit pipe rear left part 3	34 32 622	1	1		d
6	brake circuit pipe rear right part 3	34 32 603	1	1		c
6	brake circuit pipe rear right part 3	34 32 625	1	1		d
7	brake circuit pipe front left part 3	34 32 604	1	1		c
7	brake circuit pipe front left part 3	34 32 627	1	1		d
8	brake circuit pipe front right part 3	34 32 605	1	1		c
8	brake circuit pipe front right part 3	34 32 628	1	1		d
9	brake circuit pipe front part 3	34 32 2 282 782	1	1		a,c
9	brake circuit pipe front part 3	34 32 2 283 839	1	1		a,d
9	brake circuit pipe front part 3	34 32 609			1	a
10	brake circuit pipe rear part 3	34 32 2 283 092	1	1		b,c
10	brake circuit pipe rear part 3	34 32 2 283 842	1	1		b,d
10	brake circuit pipe rear part 3	34 32 610			1	b
11	speed sensor	34 52 6 768 578	1	1		e

a) d=8mm  
b) d=6mm

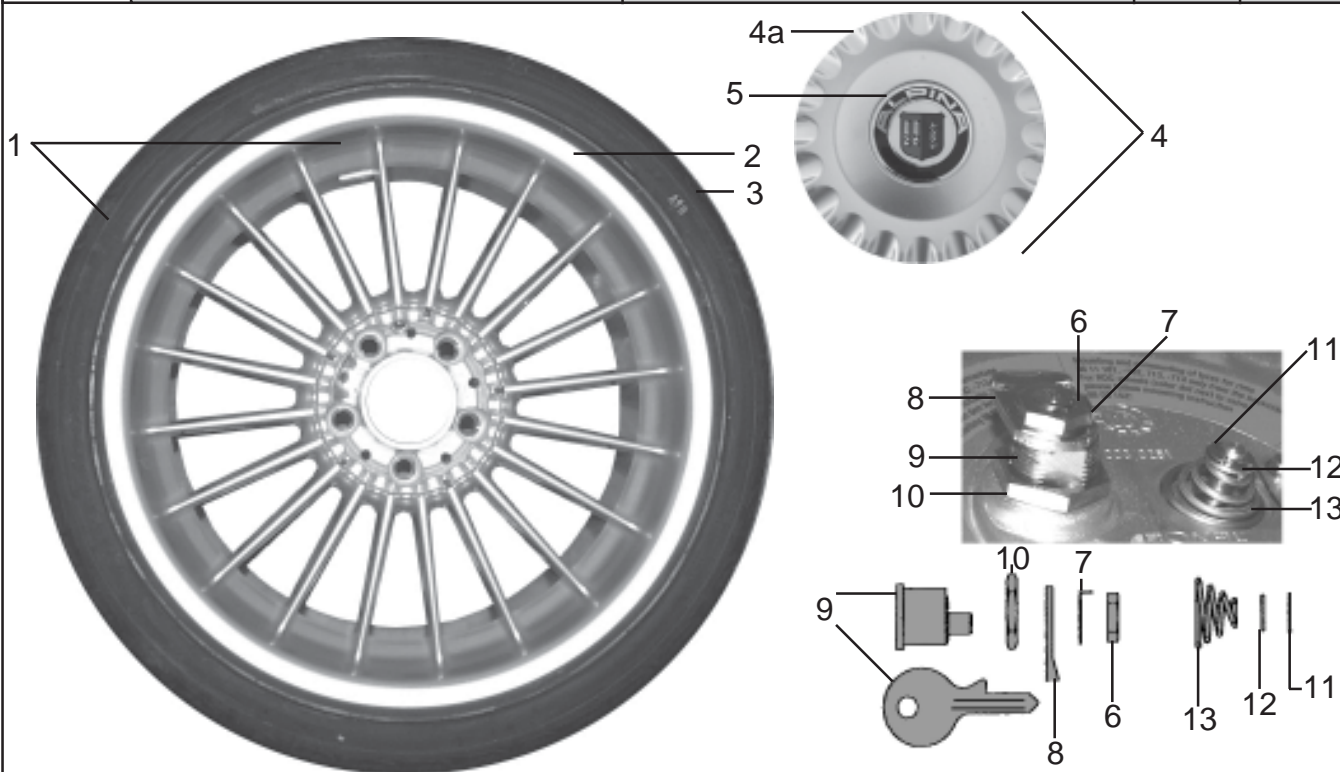
c) up to 03/07  
d) 03/07 and up

up to 03/05 - 09/05 base vehicle 545i  
09/05 and up base vehicle 550 series DSC BMW



P O S	expression	part number	B5	B5	RL	R E M
			Limousine	Touring		
1	alloy wheel 8,5 x 20" - 245/35 ZR20 95Y front	36 12 808	2			a
1	alloy wheel 9,5 x 20" - 285/30 ZR20 99Y rear	36 12 809	2			a
2	alloy rim 8,5 x 20" ET18	36 11 765	2			a
2	alloy rim 9,5 x 20" ET24	36 11 766	2			a
3	Michelin Pilot Sport 245/35 ZR 20	on request	2			a
3	Michelin Pilot Sport 285/30 ZR 20	on request	2			a
4	rim cover complete	36 10 064	4			
4a	rim cover w/o emblem and accessories	36 13 116	1			
5	ALPINA-emblem with support	36 13 135	4			
6	nut SW12	36 13 123	4			b
7	locking plate	36 13 122	4			b
8	locking lever	36 13 120	4			b
9	set lock with nut and locking lever	36 13 119	1			
10	nut SW19	36 13 121	4			b
11	hex nut M4	07 28 014	4			
12	spacer A4 DIN 125 VA	07 33 019	4			
13	spring	36 13 124	4			

a) 03/07 and up  
b) included at pos. 9

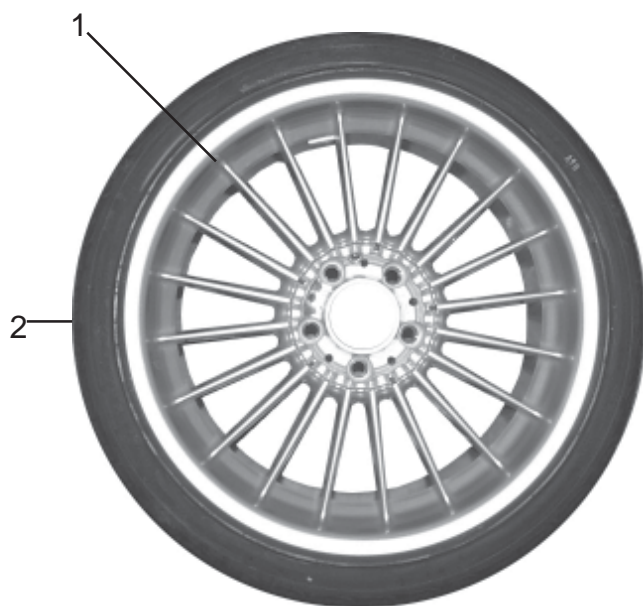


P O S	expression	part number	B5	B5	RL	R E M
			Limousine	Touring		
1	alloy wheel 8,5 x 19" 245/40 ZR 19 front	36 12 737	2	2		AE
1	alloy wheel 8,5 x 19" 245/40 ZR 19 front	36 12 769	2	2		
1	alloy wheel 9,5 x 19" 275/35 ZR 19 rear	36 12 738	2	2		AE
1	alloy wheel 9,5 x 19" 275/35 ZR 19 rear	36 12 770	2	2		
2	alloy rim 8,5 x 19" ET20	36 11 743	2	2		
2	alloy rim 9,5 x 19" ET24	36 11 744	2	2		
3	Michelin Pilot Sport 245/40 ZR 19	on request	2	2		
3	Michelin Pilot Sport 275/35 ZR 19	on request	2	2		
4	rim cover complete	36 10 064	4	4		
4a	rim cover w/o emblem and accessories	36 13 116	1	1		
5	ALPINA-emblem with support	36 13 117	4	4		AE
5	ALPINA-emblem with support	36 13 135	4	4		
6	nut SW12	36 13 123	4	4		c
7	locking plate	36 13 122	4	4		c
8	locking lever	36 13 120	4	4		c
9	set lock with nut and locking lever	36 13 119	1	1		
10	nut SW19	36 13 121	4	4		c
11	locking plate DIN 6799 D4 VA	36 13 125	4	4		a
11	nut M4	07 28 014	4	4		b
12	washer A5 DIN 125 VA	07 33 008	4	4		a
12	washer A4 DIN 125 VA	07 33 019	4	4		b
13	spring	36 13 124	4	4		

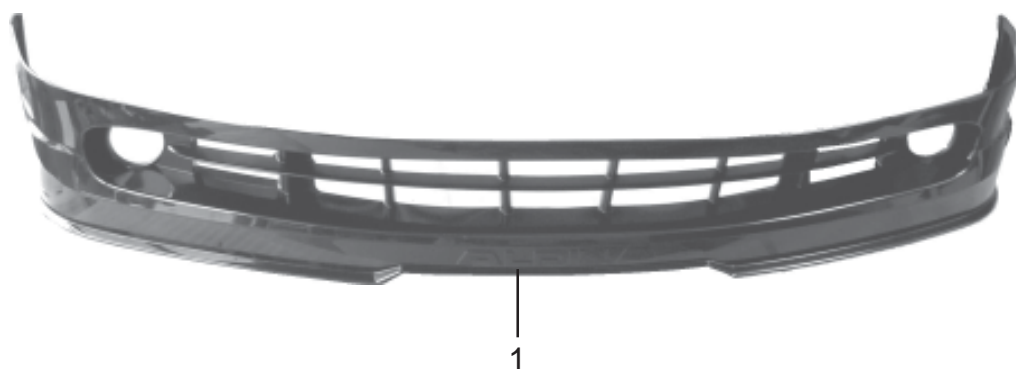
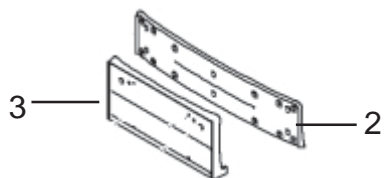
a) only for old design 36 13 117

c) included at pos. 9

b) only for new design 36 13 135, included at pos. 5



P O S	expression	part number	B5 Limousine	B5 Touring	RL	R E M
1	ALPINA alloy rim 8x18"	36 11 764	1	1		
2	tire 245/45R18 100V M+S	on request	1	1		
	wheel cover: see wheels 19"					



P O S	expression	part number	B5	B5	RL	R E M
			Limousine	Touring		
1	front spoiler type 744	41 00 785	1	1		
1	front spoiler type 804	41 00 805	1	1		a
2	licence plate bracket	51 00 745	1	1		b
2	licence plate bracket	51 11 7 897 271	1	1		a,b
3	licence plate bracket	51 00 746	1	1		c
3	licence plate bracket	51 11 7 193 522	1	1		a,c
o.A.	P1 glue 80ml	07 80 013	1	1		

a) 03/07 and up  
b) only ECE  
c) only Japan and Korea





BMW ALPINA B5  
BMW ALPINA B5 S

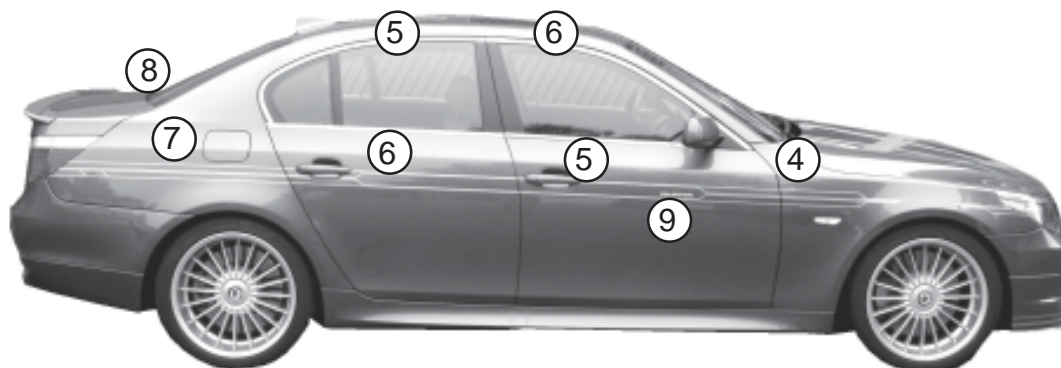
rear spoiler

page  
2

group  
41

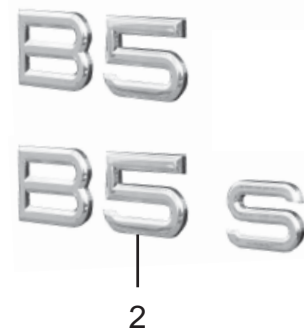
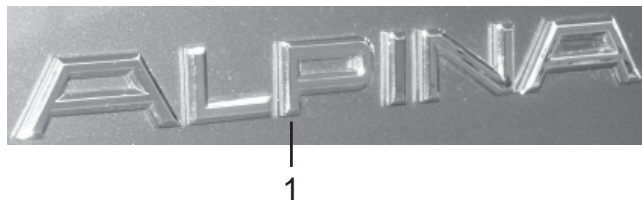


P O S	expression	part number	B5 Limousine	B5 Touring	RL	R E M
1	rear spoiler type 755	41 00 786	1			
1	rear spoiler type 781	41 00 800		1		
o.A.	P1 glue 80ml	07 80 013	1	1		



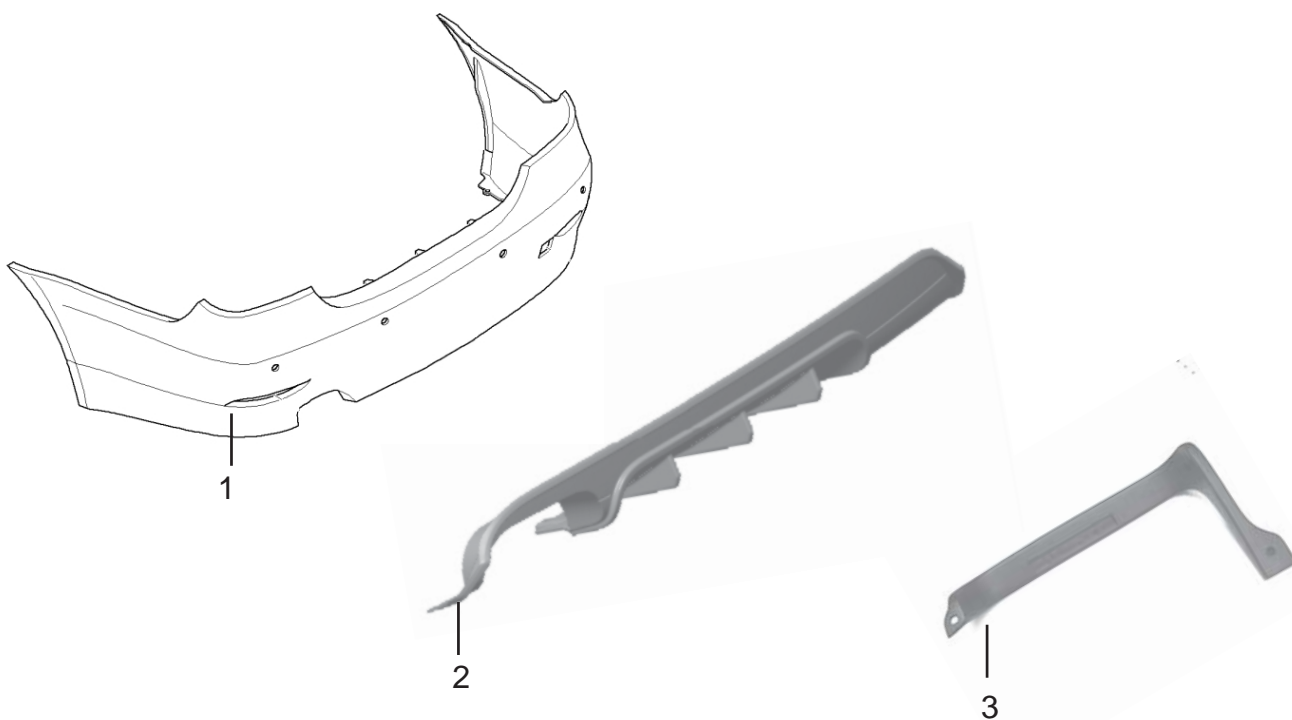
P O S	expression	part number	B5	B5	RL	R E M
			Limousine	Touring		
1	sign ALPINA 300mm silver	51 00 013	1	1		
1	sign ALPINA 300mm gold	51 00 035	1	1		
2	rhomb front spoiler right gold	41 00 360	1	1		
2	rhomb front spoiler right gold	41 00 408	1	1		a
2	rhomb front spoiler right silver	41 00 358	1	1		
2	rhomb front spoiler right silver	41 00 406	1	1		a
3	rhomb front spoiler left gold	41 00 359	1	1		
3	rhomb front spoiler left gold	41 00 409	1	1		a
3	rhomb front spoiler left silver	41 00 357	1	1		
3	rhomb front spoiler left silver	41 00 407	1	1		a
4	rhomb front right gold	41 00 246	1	1		
4	rhomb front right silver	41 00 252	1	1		
4	rhomb front left gold	41 00 247	1	1		
4	rhomb front left silver	41 00 253	1	1		
5	rhomb door FR+RL gold	41 00 248	2	2		
5	rhomb door FR+RL silver	41 00 254	2	2		
6	rhomb door FL+RR gold	41 00 249	2	2		
6	rhomb door FL+RR silver	41 00 255	2	2		
7	rhomb rear right gold	41 00 250	1	1		
7	rhomb rear right silver	41 00 256	1	1		
8	rhomb rear left gold	41 00 251	1	1		
8	rhomb rear left silver	41 00 257	1	1		
9	sign ALPINA 132mm gold	51 00 064	2	2		
9	sign ALPINA 132mm silver	51 00 065	2	2		

a) 03/07 and up



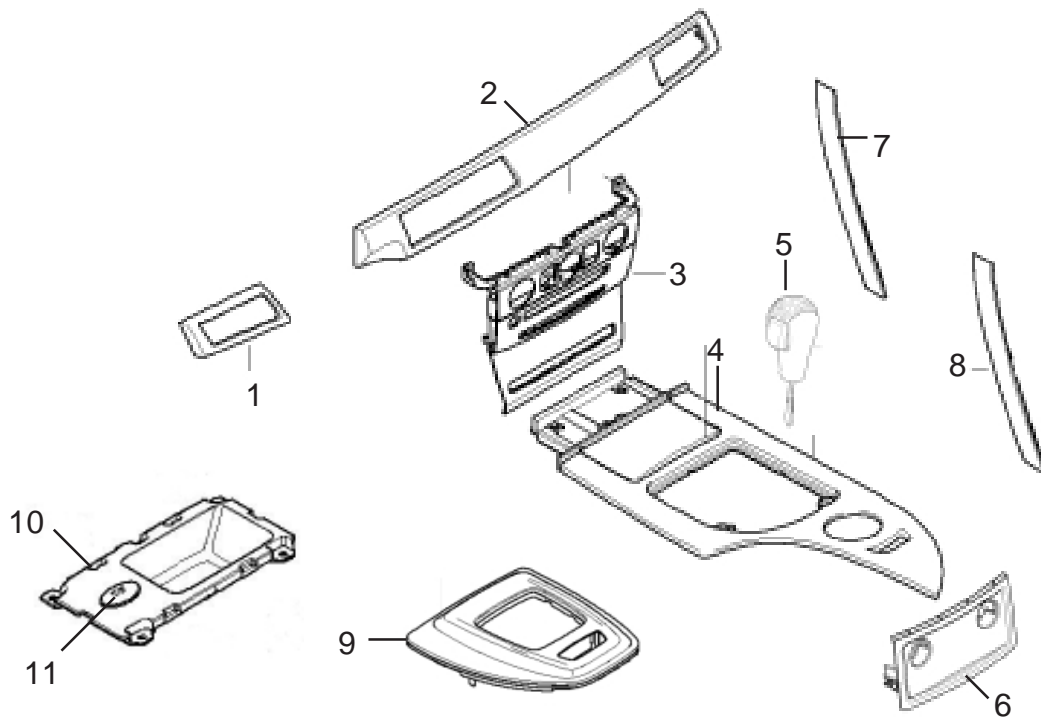
P O S	expression	part number	B5	B5	RL	R E M
			Limousine	Touring		
1	"ALPINA" embleme chrome	51 00 246	1	1		
2	"B5" embleme chrome	51 00 287	1	1		
2	"B5 S" embleme chrome	51 00 303	1	1		a
3	door sill trim front left	51 47 653	1	1		
3	door sill trim front right	51 47 654	1	1		
3	door sill trim rear left	51 47 655	1	1		
3	door sill trim rear right	51 47 656	1	1		
4	production plate B5	76 00 318	1			
4	production plate B5 S	76 00 338	1			a
4	production plate B5 Touring	76 00 319		1		
4	production plate B5 S Touring	76 00 339		1		a
5	production plate bracket	51 00 740	1	1		

a) 09/07 and up



P O S	expression	part number	B5	B5	RL	R E M
			Limousine	Touring		
1	rear bumper for PDC	51 00 762	1			
1	rear bumper for PDC	51 00 800	1			a
1	rear bumper for PDC	51 00 763		1		
1	rear bumper for PDC	51 00 801		1		a
2	rear diffuser primed	51 00 794	1			a
o.A.	bracket	51 00 615	1			a
o.A.	clip	51 12 7 070 202	3			a
o.A.	screw	07 14 7 119 148	3			a
o.A.	rivet	51 11 1 908 077	2			a
3	exhaust tip primed	51 00 739	1			
3	exhaust tip primed	51 00 776	1			a
3	exhaust tip primed	51 00 738		1		
3	exhaust tip primed	51 00 788		1		a

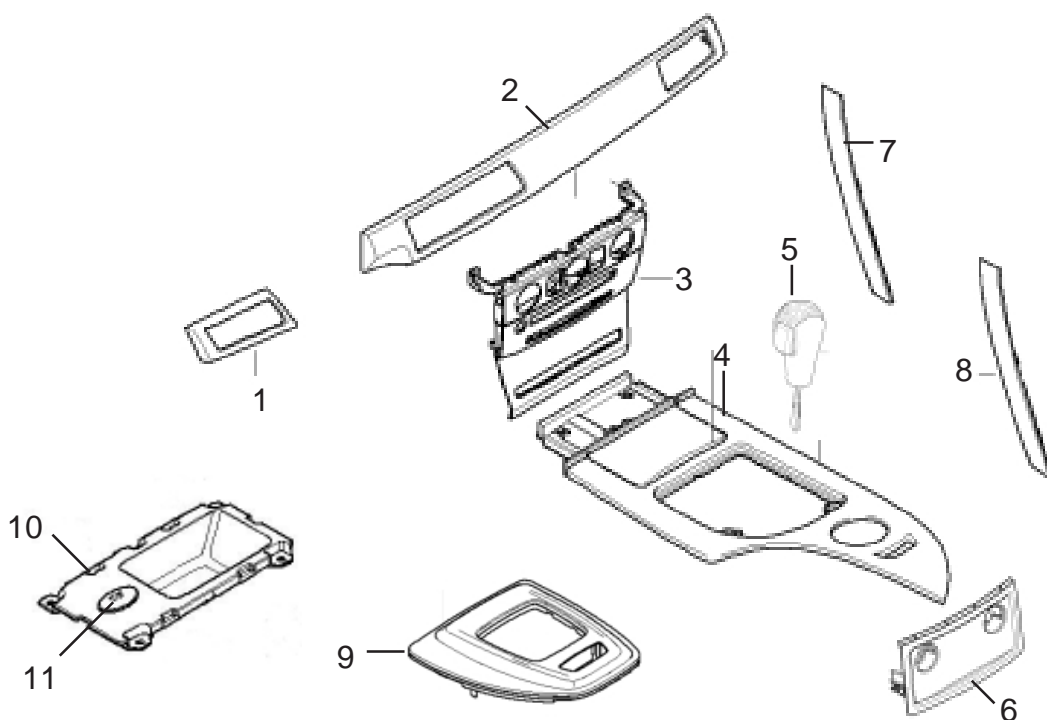
a) 03/07 and up



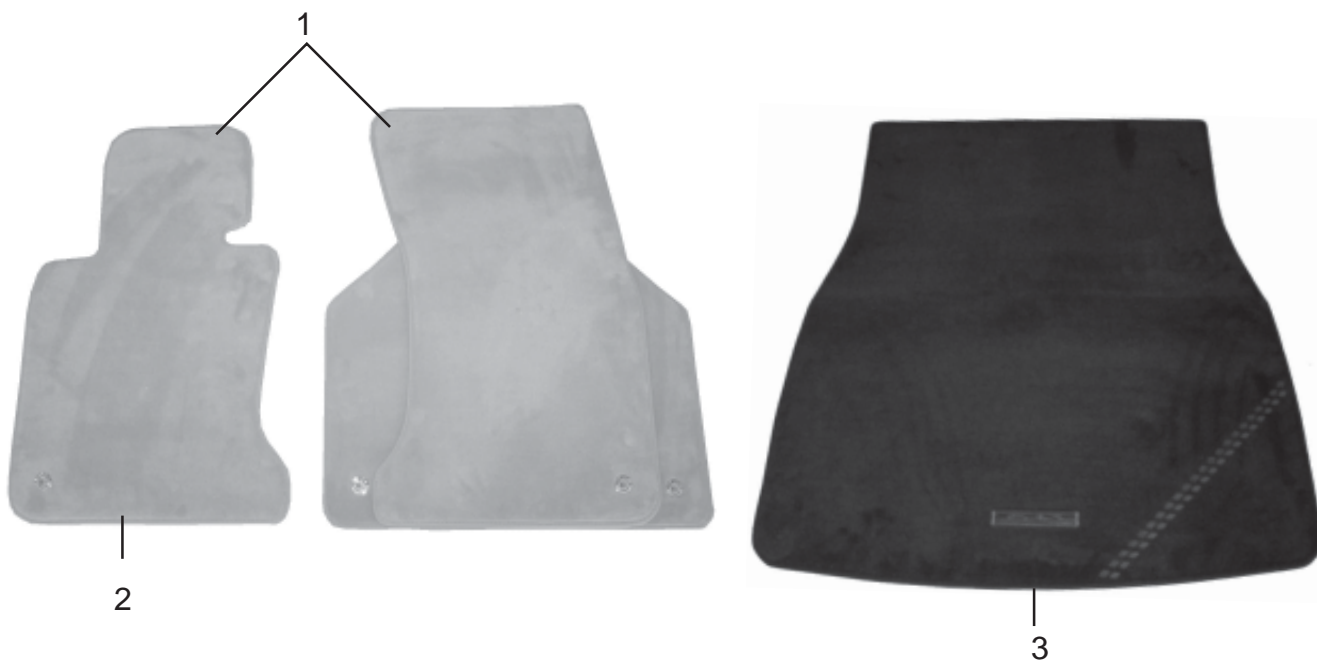
P O S	expression	part number	B5	B5	RL	R E M
			Limousine	Touring		
1	trim panel	51 45 643	1	1		d
1	trim panel	51 45 655	1	1		e
1	trim panel	51 45 646			1	b
1	trim panel	51 45 654			1	c
2	trim panel dashboard	51 45 644	1	1		d
2	trim panel dashboard	51 45 656	1	1		e
2	trim panel dashboard	51 45 645			1	b
2	trim panel dashboard	51 45 653			1	c
3	trim panel centre black/Myrte	51 45 647	1	1		
3	trim panel centre gray/Myrte	51 45 649	1	1		
3	trim panel centre	51 45 666	1	1		f
3	trim panel centre black/Myrte	51 45 651			1	
3	trim panel centre gray/Myrte	51 45 652			1	
3	trim panel centre	51 45 667			1	f
4	trim panel central consol	51 16 652	1	1		
4	trim panel central consol	51 16 665	1	1		f
4	trim panel central consol	51 16 654			1	
4	trim panel central consol	51 16 666			1	f
5	trim panel selector lever (up to 09/07)	51 00 749	1	1		

a) to 03/05  
b) to 08/05  
c) 09/05 and up

d) to 02/06  
e) 03/06 and up  
f) 03/07 and up

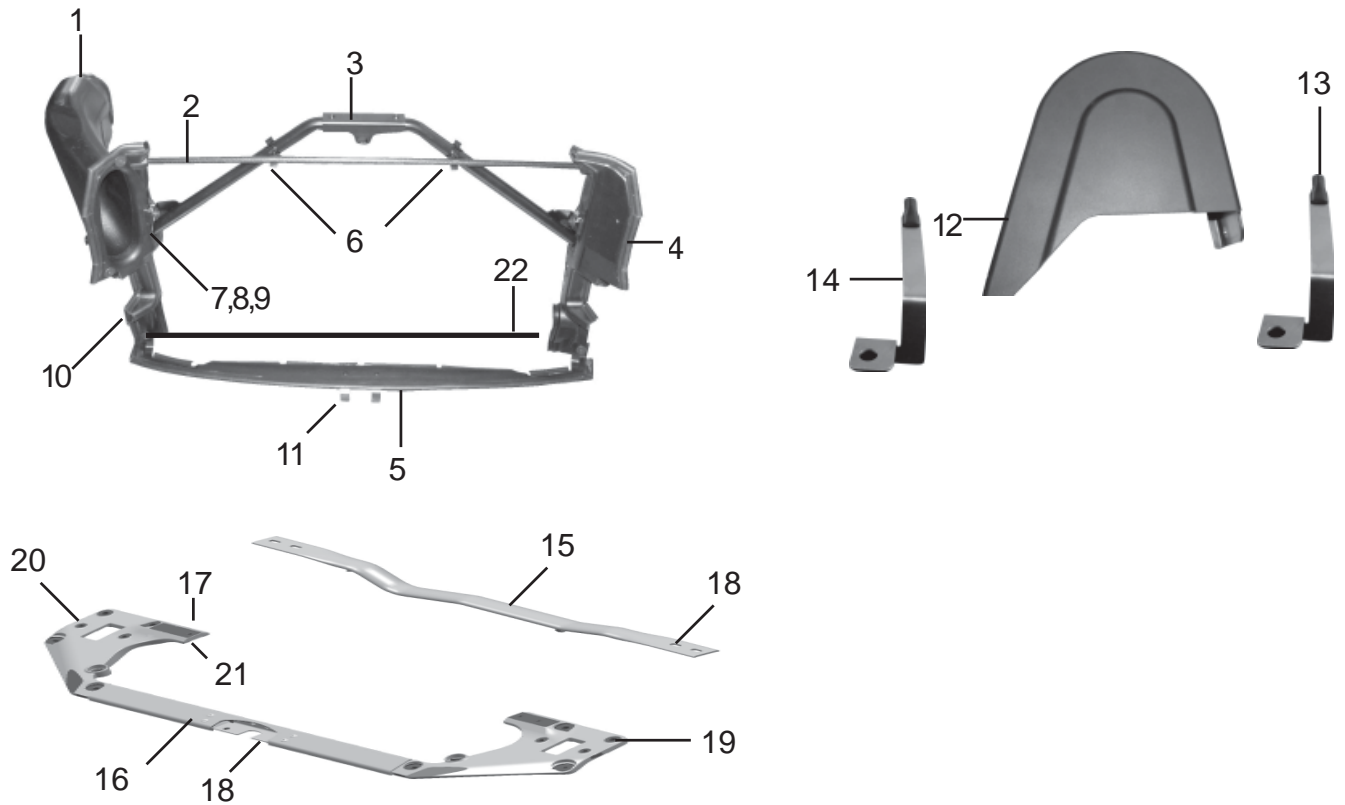


P O S	expression	part number	B5	B5	RL	R E M
			Limousine	Touring		
6	trim panel rear basic	51 16 660	1	1		a
6	trim panel rear w/ socket	51 16 656	1	1		
6	trim panel rear w/ socket+seat heating	51 16 657	1	1		
6	trim panel rear w/ socket+head set	51 16 658	1	1		
6	trim panel rear w/ socket+seat heat.+head set	51 16 659	1	1		
7	trim panel door handle front left	51 41 637	1	1		
7	trim panel door handle front left	51 41 647	1	1		f
7	trim panel door handle front right	51 41 638	1	1		
7	trim panel door handle front right	51 41 648	1	1		f
8	trim panel door handle rear left	51 42 625	1	1		
8	trim panel door handle rear left	51 42 653	1	1		f
8	trim panel door handle rear right	51 42 626	1	1		
8	trim panel door handle rear right	51 42 654	1	1		f
9	trim panel shift lever (09/07 and up)	51 16 9 123 873	1			
9	trim panel shift lever (09/07 and up)	51 16 9 123 874		1		
10	oddments tray	51 16 8 045 434	1	1		f
11	switch EDC	61 31 7 834 518	1	1		f
a) bis 03/05 b) bis 08/05 c) ab 09/05		d) bis 02/06 e) ab 03/06 f) ab 03/07				



P O S	expression	part number	B5	B5	RL	R E M
			Limousine	Touring		
1	set floor mats	51 43 651	1	1		AE
1	set floor mats	51 43 656	1	1		a
1	set floor mats	51 43 652			1	AE
1	set floor mats	51 43 658			1	a
2	floor mat driver's side	51 43 653	1	1		AE
2	floor mat driver's side	51 43 657	1	1		a
2	floor mat driver's side	51 43 654			1	AE
2	floor mat driver's side	51 43 659			1	a
3	trunk mat without SA465	51 43 649	1			b
3	trunk mat wit SA465	51 43 655	1			b
3	trunk mat	51 43 650		1		b

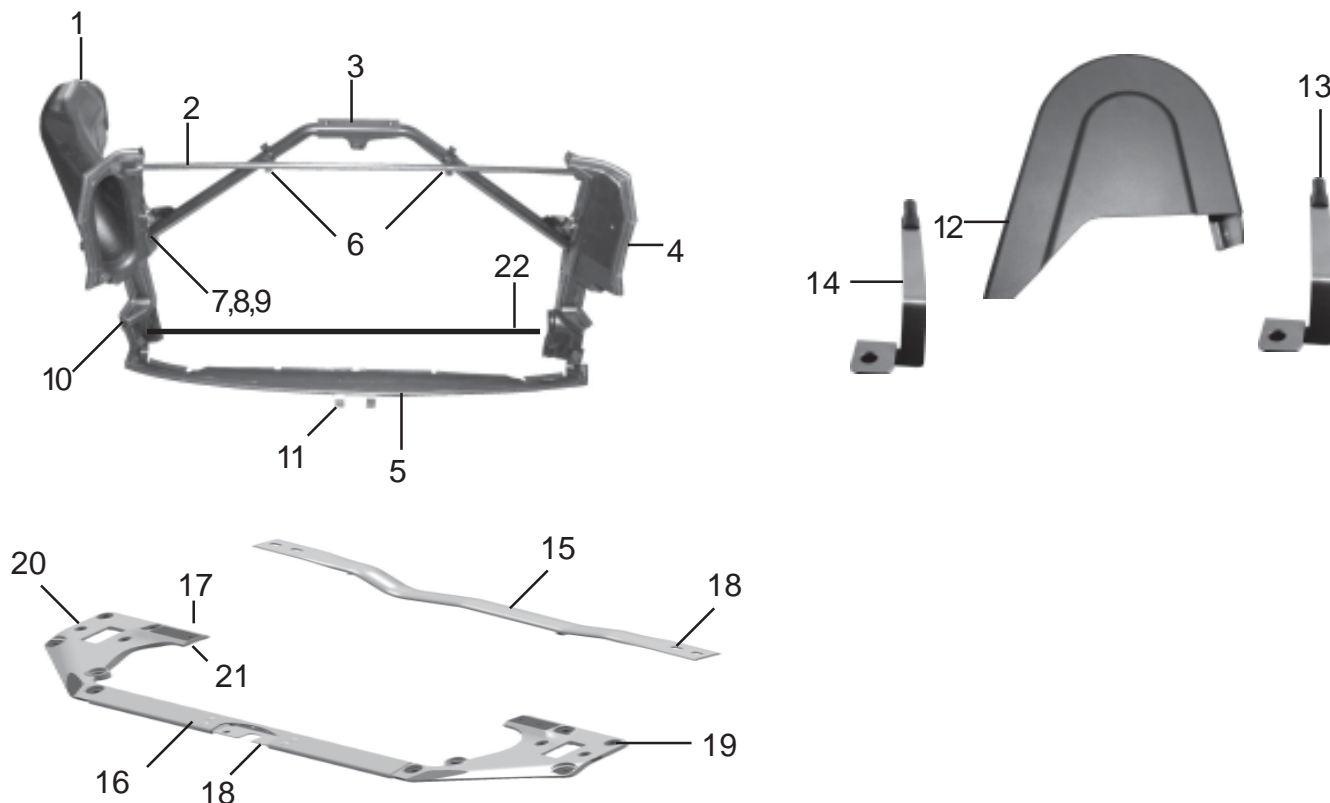
a) please indicate colour!  
b) dark-grey



P O S	expression	part number	B5	B5	RL	R E M
			Limousine	Touring		
1	right intake port	13 10 714	1	1		
2	connecting bar air guide	51 71 622	1	1		
3	support	51 64 614	1	1		
	Extend of supply air guide (pos. 4 - 10)	51 71 624	1	1		
	Extend of supply air guide (pos. 4 - 10)	51 71 664	1	1		a
4	left air guide	51 71 620	1	1		
4	left air guide	51 71 665	1	1		a
5	lower air guide	51 71 621	1	1		
5	lower air guide	51 71 667	1	1		a
6	hose support	11 61 1 708 739	2	2		
7	screw	07 14 7 129 160	6	6		
7	screw	07 14 7 129 160	4	4		a
8	plate nut	07 14 7 154 447	6	6		
8	plate nut	07 14 7 154 447	4	4		a
9	rivet	51 11 1 908 077	2	2		
9	rivet	51 11 1 908 077	4	4		a
10	right air guide	51 71 619	1	1		
10	right air guide	51 71 666	1	1		a
11	bracket air guide	51 71 659	1	1		
12	cover for compressor pulley	51 47 657	1	1		
to 12	screw for cover	41 61 8 256 854	4	4		
13	support 1 pulley cover	51 47 658	1	1		
14	support 2 pulley cover	51 47 659	1	1		

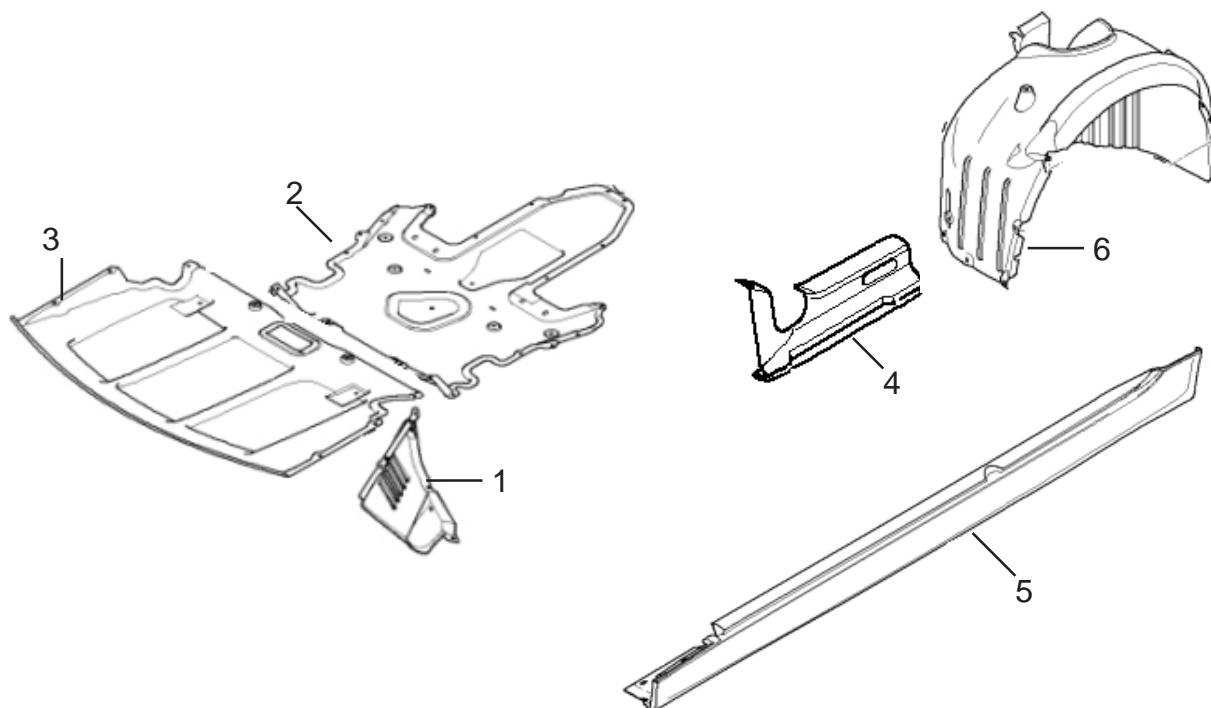
a) 03/07 and up





P O S	expression	part number	B5	B5	RL	R E M
			Limousine	Touring		
15	upper connecting bar	51 64 608	1	1		
16	upper connection	51 64 600	1	1		
17	bracket vaccum hose	51 64 627	1	1		
18	screw with washer	07 14 7 119 148	5	5		
19	screw	63 12 7 068 171	9	9		
20	screw with washer	51 24 8 182 364	4	4		
21	hex nut	07 12 9 900 681	1	1		
22	connecting bar	51 71 668	1	1		a

a) 03/07 and up



P O S	expression	part number	B5	B5	RL	R E M
			Limousine	Touring		
1	left damping cover	51 71 623	1	1		
2	rear damping cover	51 75 600	1	1		a
2	rear damping cover	51 75 607	1	1		b
3	front damping cover	51 75 601	1	1		AE
3	front damping cover	51 75 608	1	1		
4	left transmission cover	51 48 611	1	1		
5	left door sill cover, primed	51 77 7 907 177	1	1		
5	right door sill cover, primed	51 77 7 907 178	1	1		
6	wheelhouse protector front right	51 71 674	1			c
6	wheelhouse protector front left	51 71 675	1			c
to 6	bracket right	41 00 812	1			c
to 6	bracket left	41 00 811	1			c
to 6	bracket front bumper right	51 00 778	1			c
to 6	bracket front bumper left	51 00 779	1			c

a) cold country specification without SA 823

C) 03/07 and up

b) hot country specification with SA 823

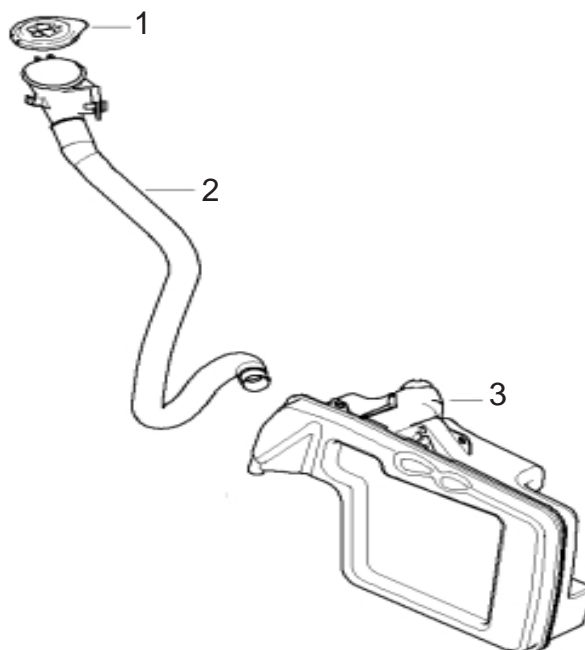


BMW ALPINA B5  
BMW ALPINA B5 S

windshield  
cleaning container

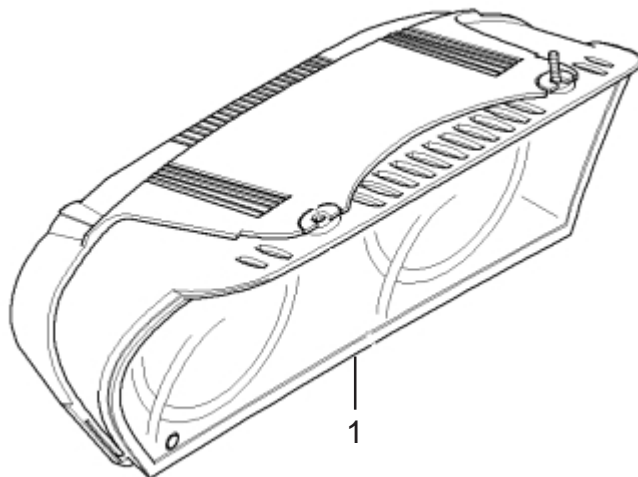
page  
1

group  
51

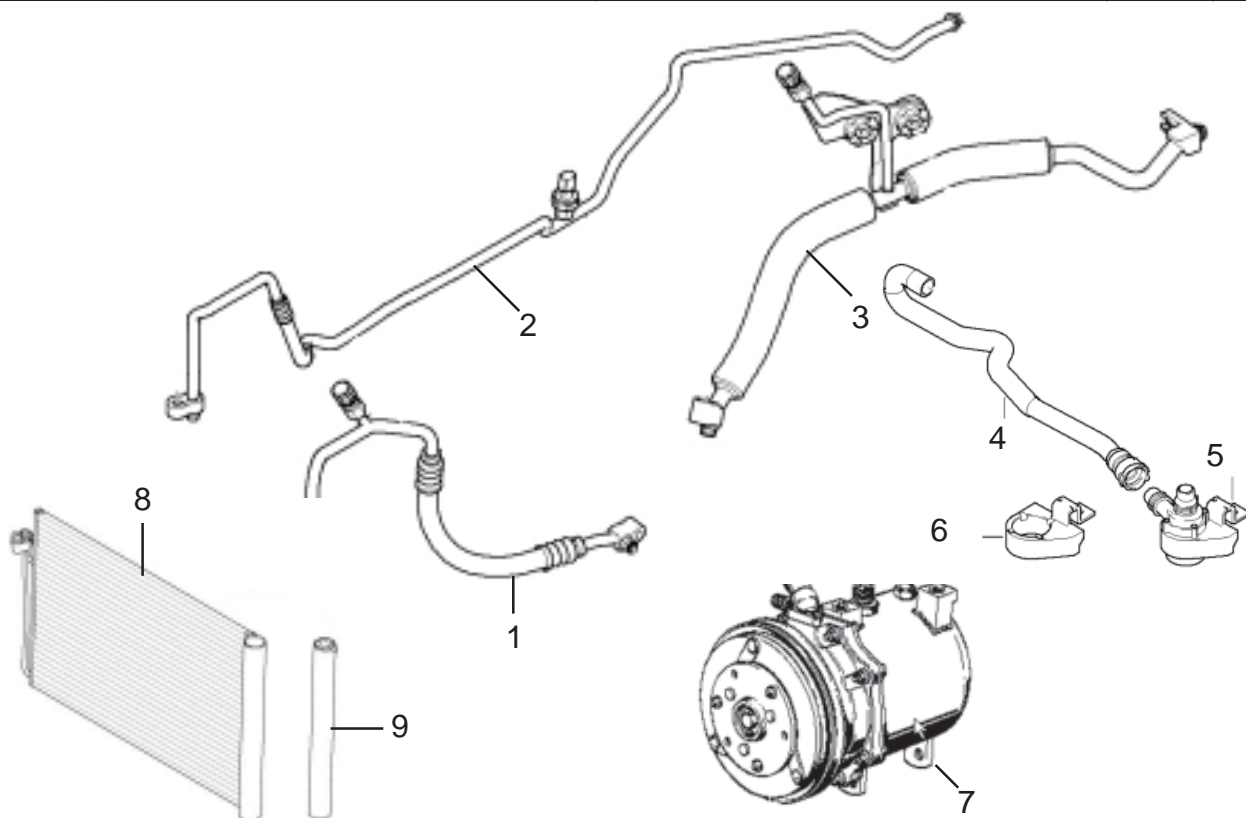


P O S	expression	part number	B5 Limousine	B5 Touring	RL	R E M
1	cover windshield cleaning container	61 66 7 007 880	1	1		
2	connector for filler pipe	61 66 7 896 455	1	1		
3	windshield cleaning container	61 66 7 896 393	1			
3	windshield cleaning container	61 66 103		1		a

a incl. wash pumps and levelling switch

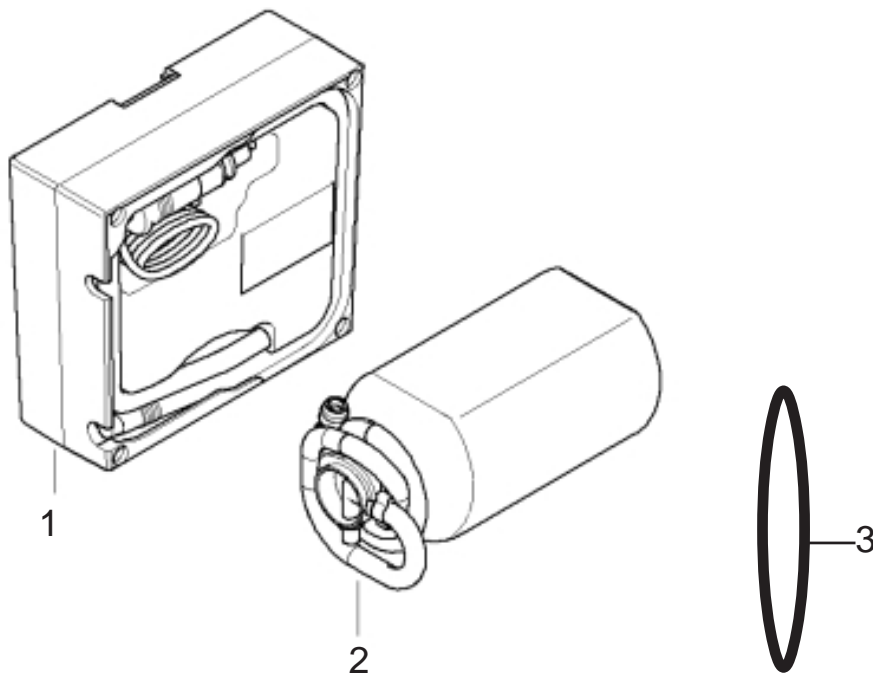


P O S	expression	part number	B5 Limousine	B5 Touring	RL	R E M
1	cluster gauge km/h	62 10 776	1	1		W
1	cluster gauge km/h	62 10 786	1	1		W
1	cluster gauge km/h	62 10 803	1	1		W
1	cluster gauge mp/h	62 10 777			1	W
1	cluster gauge mp/h	62 10 787			1	W
1	cluster gauge km/h	62 10 804	1	1		W



P O S	expression	part number	B5	B5	RL	R E M
			Limousine	Touring		
1	pressure pipe compressor-condenser	64 50 691	1	1		
2	pressure pipe evaporator-condenser	64 50 692	1	1		
3	suction pipe evaporator-compressor	64 50 693	1	1		
4	water hose inlet complementary water pump	64 21 502	1	1		
5	complementary water pump	64 21 603	1	1		
6	bracket complementary water pump	64 21 501	1	1		
7	A/C compressor with clutch	64 52 6 947 132	1	1		a
7	A/C compressor without clutch	64 52 6 122 705	1	1		a
8	condenser A/C with drier	64 50 709	1	1		
9	drier insert	64 53 6 907 403	1	1		

a) 03/07 and up



P O S	expression	part number	B5	B5	RL	R E M
			Limousine	Touring		
1	M-Mobilty-Kit	71 10 2 282 826	1	1		
2	sealing bottle	71 10 2 282 822	1	1		
3	fixing strap sealing bottle	71 10 107	1			

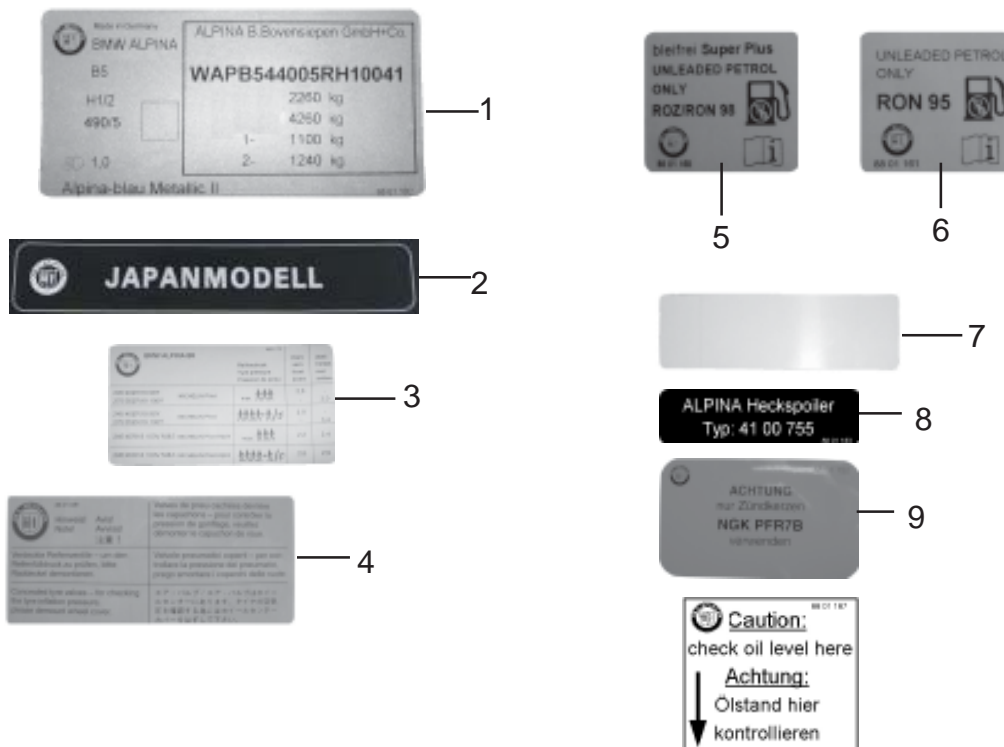


BMW ALPINA B5  
BMW ALPINA B5 S

information stickers

page  
1

group  
88



P O S	expression	part number	B5	B5	RL	R E M
			Limousine	Touring		
1	indification sticker	88 01 102	1	1		
2	sticker "JAPANMODELL"	88 01 110	1	1		
3	tyre pressure sticker	88 01 172	1			
3	tyre pressure sticker	88 01 173		1		
4	sticker "invisible valves"	88 01 081	1	1		
5	sticker Super Plus ROZ/IRON 98	88 01 160	1	1		
6	sticker Unleaded Petrol RON 95	88 01 161			1	a
7	protective film indification number	51 71 632	1	1		
8	sticker "Heckspoiler 41 00 755"	88 01 183	1			
8	sticker "Heckspoiler 41 00 781"	88 01 215		1		
9	sticker spark plug "NGK PFR7B"	88 01 152	2	2		
10	sticker oil level rear axle	88 01 187	1	1		

a) only SA 812 (GB) and SA 802 (Korea)



BMW ALPINA B5  
BMW ALPINA B5 S

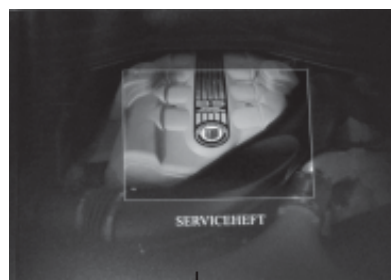
owner's manual/  
special parts

page  
1

group  
88



1



2



3



4



5

P O S	expression	part number	B5	B5	RL	R E M
			Limousine	Touring		
1	owner's manual German	88 03 318	1	1		
1	owner's manual German	88 03 408	1	1		a
1	owner's manual German	88 03 424	1	1		b
1	owner's manual English	88 03 319	1	1		
1	owner's manual English	88 03 409	1	1		a
1	owner's manual English	88 03 425	1	1		b
2	service booklet German	88 03 320	1	1		
2	service booklet English	88 03 321	1	1		
3	briefcase	76 00 160	1	1		
4	key tag	51 00 011	1	1		
5	radio remote control	on request	1	1		

a) 03/07 and up  
b) 09/07 and up